

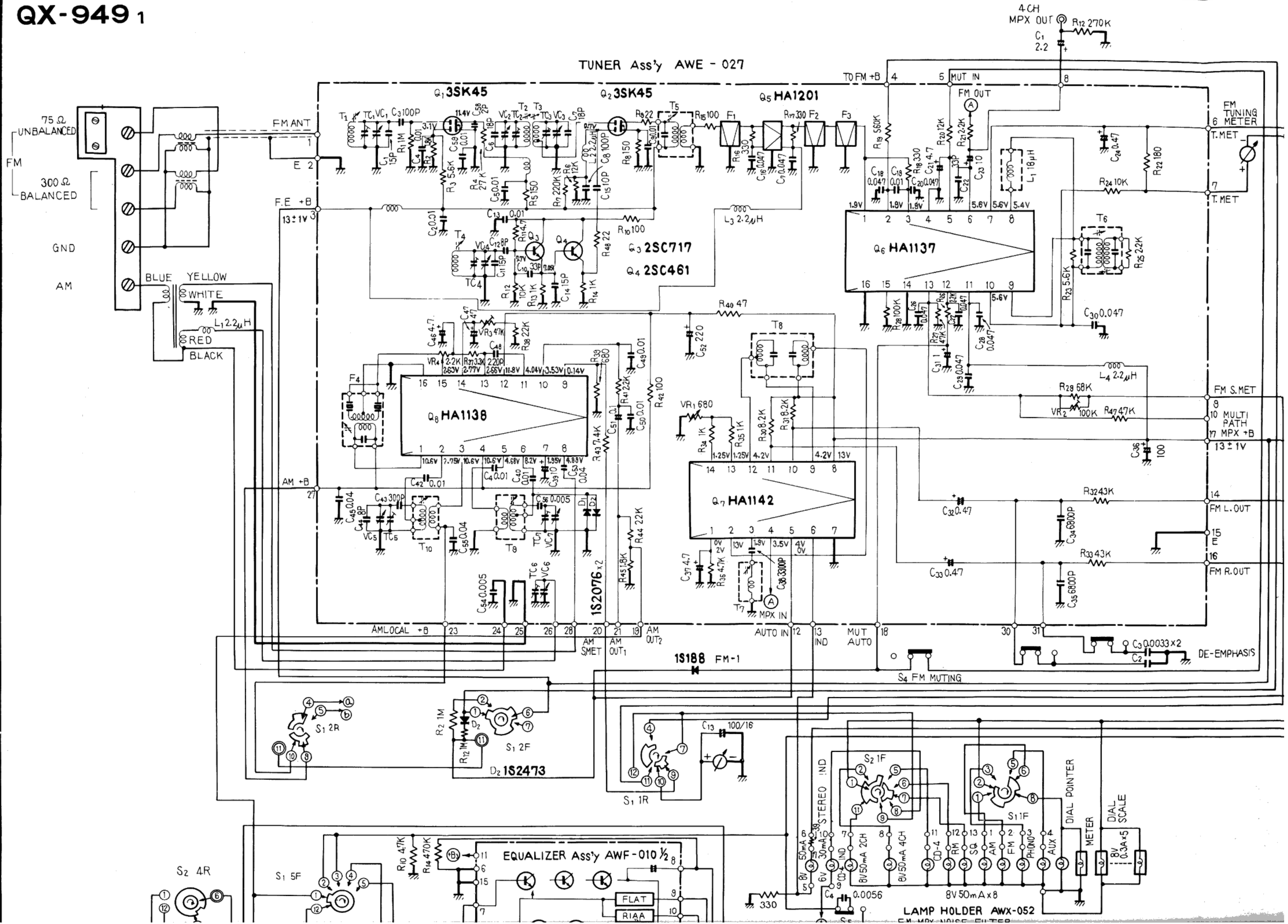


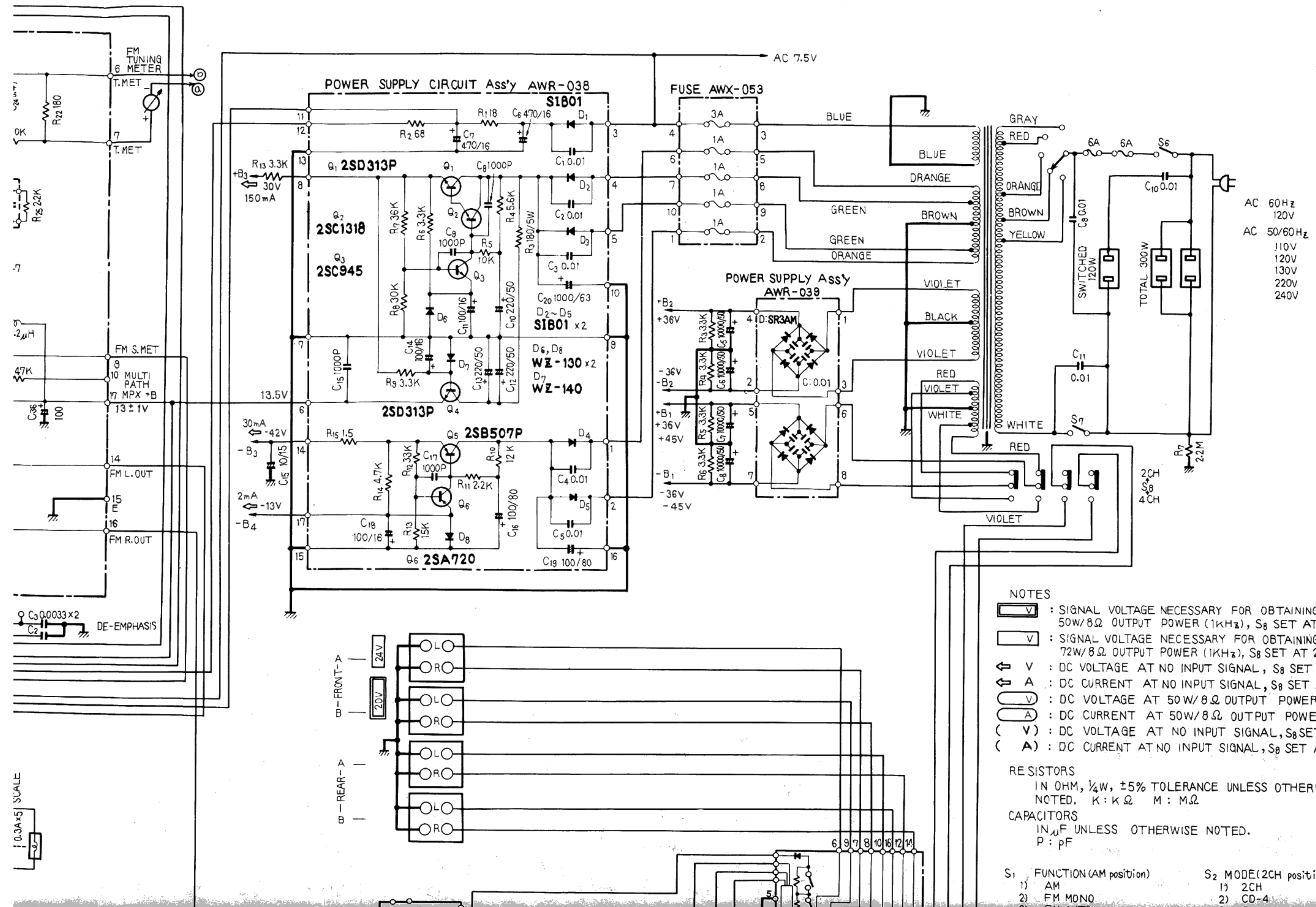
QUADRAPHONIC RECEIVER

**QX-949**  
FV FUW

# QX-949 1

## TUNER Ass'y AWE - 027





AC 60 Hz  
120V  
AC 50/60 Hz  
110V  
120V  
130V  
220V  
240V

**NOTES**

- : SIGNAL VOLTAGE NECESSARY FOR OBTAINING 50W/8Ω OUTPUT POWER (1kHz), S<sub>8</sub> SET AT 4CH.
- : SIGNAL VOLTAGE NECESSARY FOR OBTAINING 72W/8Ω OUTPUT POWER (1kHz), S<sub>8</sub> SET AT 2CH.
- : DC VOLTAGE AT NO INPUT SIGNAL, S<sub>8</sub> SET AT 4CH.
- : DC CURRENT AT NO INPUT SIGNAL, S<sub>8</sub> SET AT 4CH.
- : DC VOLTAGE AT 50W/8Ω OUTPUT POWER.
- : DC CURRENT AT 50W/8Ω OUTPUT POWER.
- ( ) : DC VOLTAGE AT NO INPUT SIGNAL, S<sub>8</sub> SET AT 2CH.
- ( ) : DC CURRENT AT NO INPUT SIGNAL, S<sub>8</sub> SET AT 2CH.

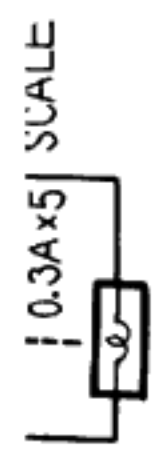
**RESISTORS**  
IN OHM, 1/4W, ±5% TOLERANCE UNLESS OTHERWISE NOTED. K: KΩ M: MΩ

**CAPACITORS**  
IN μF UNLESS OTHERWISE NOTED.  
P: pF

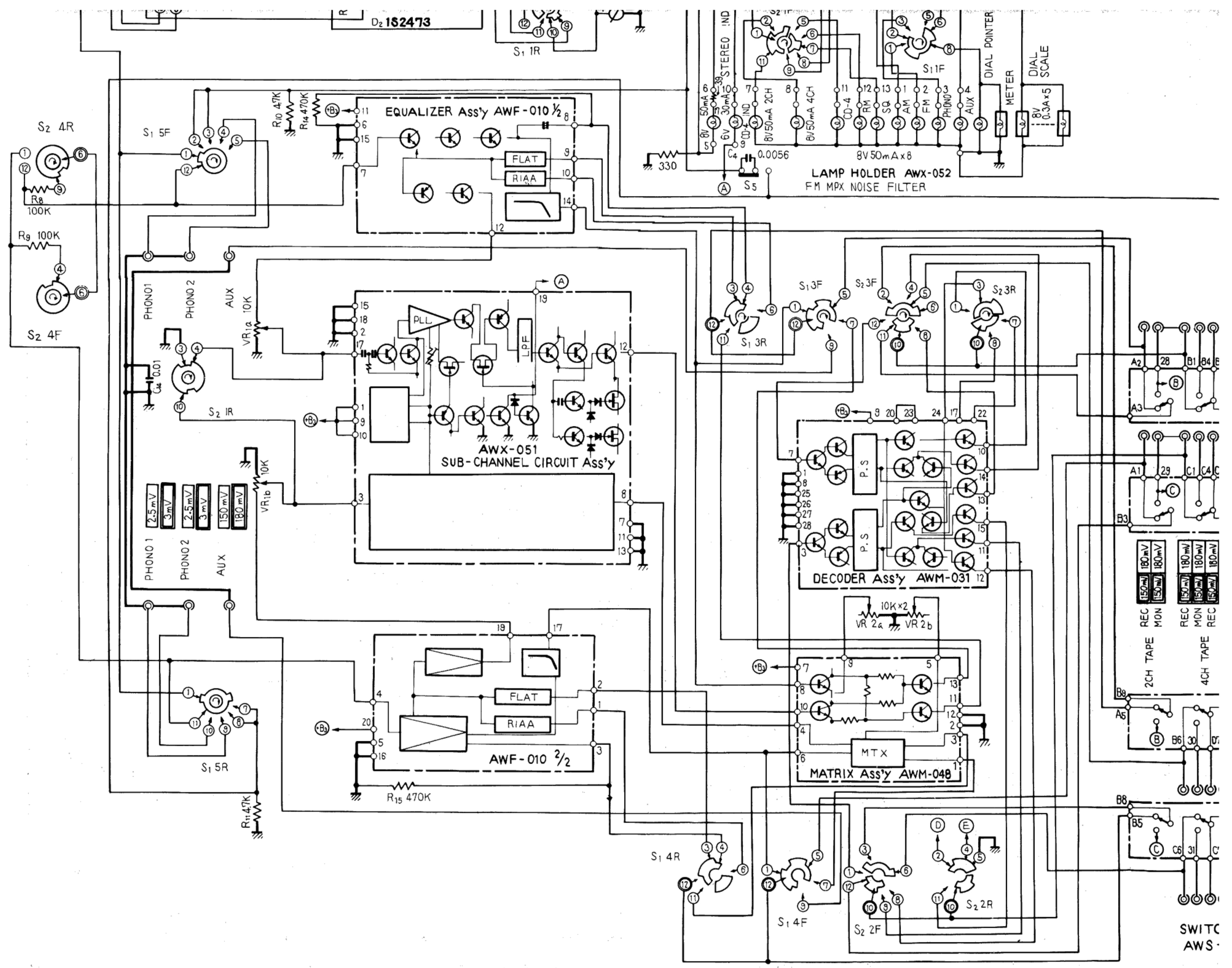
S<sub>1</sub> FUNCTION (AM position)      S<sub>2</sub> MODE (2CH position)

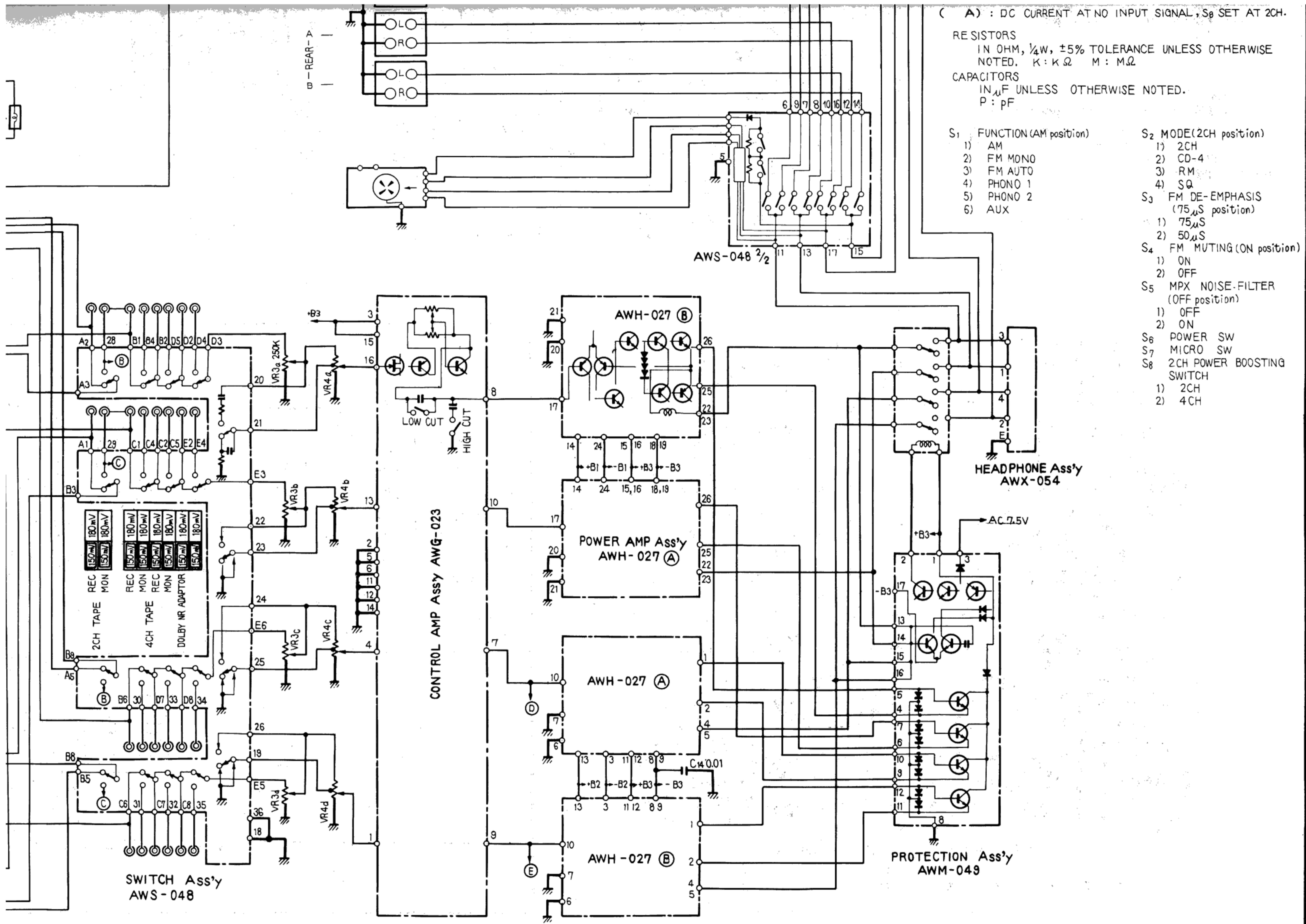
1) AM                                      1) 2CH

2) FM MONO                              2) CD-4









( A ) : DC CURRENT AT NO INPUT SIGNAL,  $S_8$  SET AT 2CH.

RESISTORS  
IN OHM,  $\frac{1}{4}W$ ,  $\pm 5\%$  TOLERANCE UNLESS OTHERWISE NOTED. K: K $\Omega$  M: M $\Omega$

CAPACITORS  
IN  $\mu F$  UNLESS OTHERWISE NOTED.  
P: pF

- $S_1$  FUNCTION (AM position)
- 1) AM
  - 2) FM MONO
  - 3) FM AUTO
  - 4) PHONO 1
  - 5) PHONO 2
  - 6) AUX
- $S_2$  MODE (2CH position)
- 1) 2CH
  - 2) CD-4
  - 3) RM
  - 4) SQ
- $S_3$  FM DE-EMPHASIS (75 $\mu S$  position)
- 1) 75 $\mu S$
  - 2) 50 $\mu S$
- $S_4$  FM MUTING (ON position)
- 1) ON
  - 2) OFF
- $S_5$  MPX NOISE-FILTER (OFF position)
- 1) OFF
  - 2) ON
- $S_6$  POWER SW
- $S_7$  MICRO SW
- $S_8$  2CH POWER BOOSTING SWITCH
- 1) 2CH
  - 2) 4CH

AWS-048  $\frac{2}{2}$

HEADPHONE Ass'y  
AWX-054

PROTECTION Ass'y  
AWM-049

CONTROL AMP Ass'y  
AWG-023

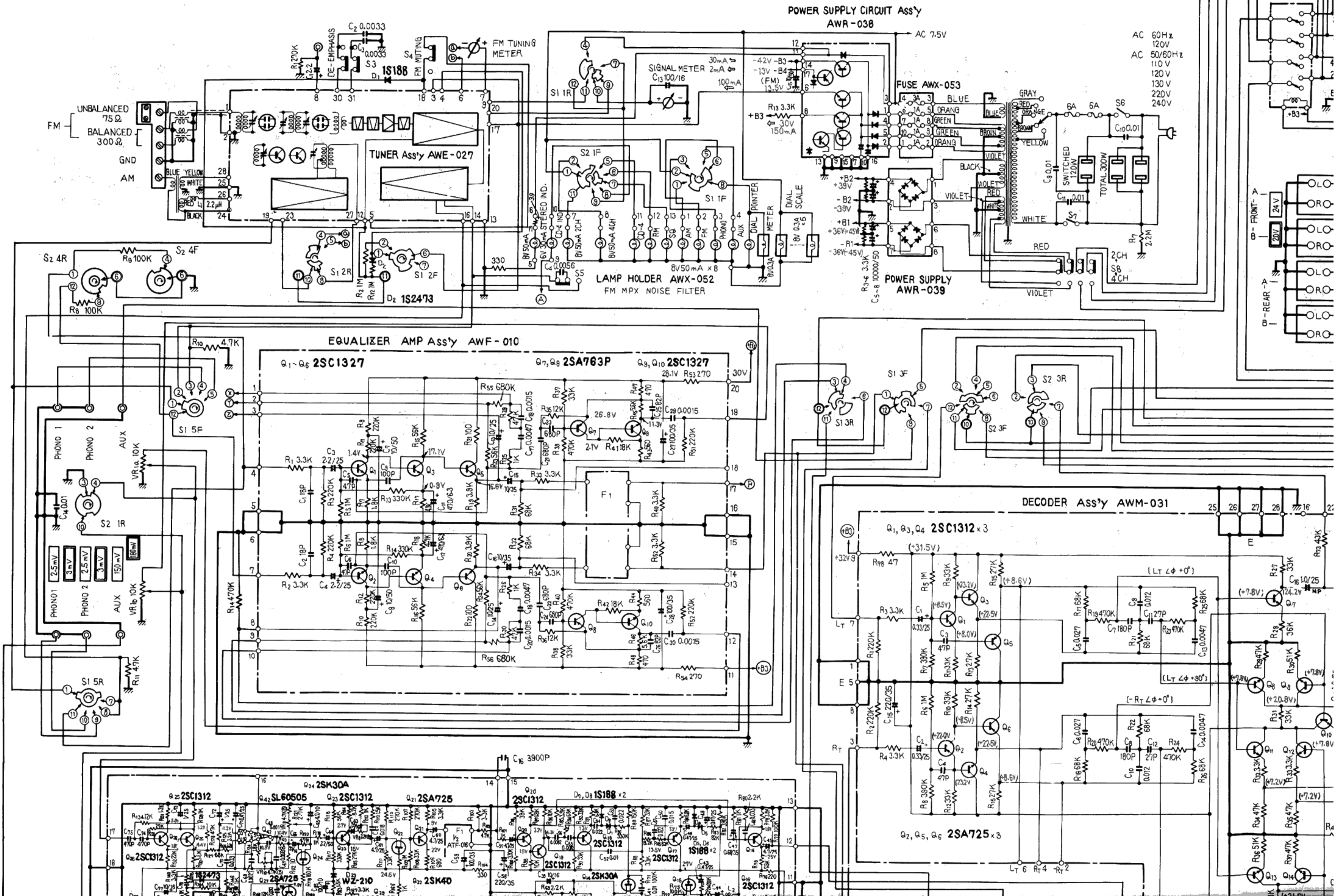
POWER AMP Ass'y  
AWH-027 (A)

AWH-027 (A)

AWH-027 (B)

SWITCH Ass'y  
AWS-048





AC 60Hz  
120V  
AC 50/60Hz  
110V  
120V  
130V  
220V  
240V

POWER SUPPLY CIRCUIT Ass'y  
AWR-038

FUSE AWX-053

POWER SUPPLY  
AWR-039

EQUALIZER AMP Ass'y  
AWF-010

DECODER Ass'y  
AWM-031

LAMP HOLDER AWX-052  
FM MPX NOISE FILTER

TUNER Ass'y  
AWE-027

UNBALANCED 75Ω  
BALANCED 300Ω

FM  
AM

S<sub>2</sub> 4R  
R<sub>8</sub> 100K

PHONO 1  
PHONO 2  
AUX

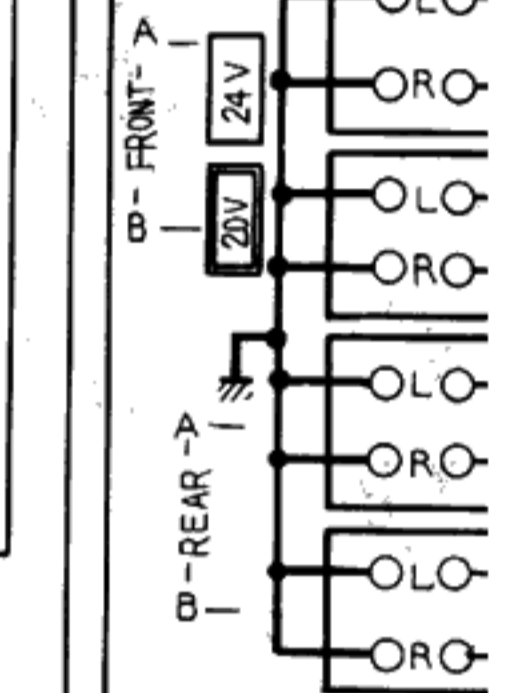
2.5mV  
3mV  
2.5mV  
3mV  
150mV

S<sub>1</sub> 5R  
R<sub>11</sub> 47K

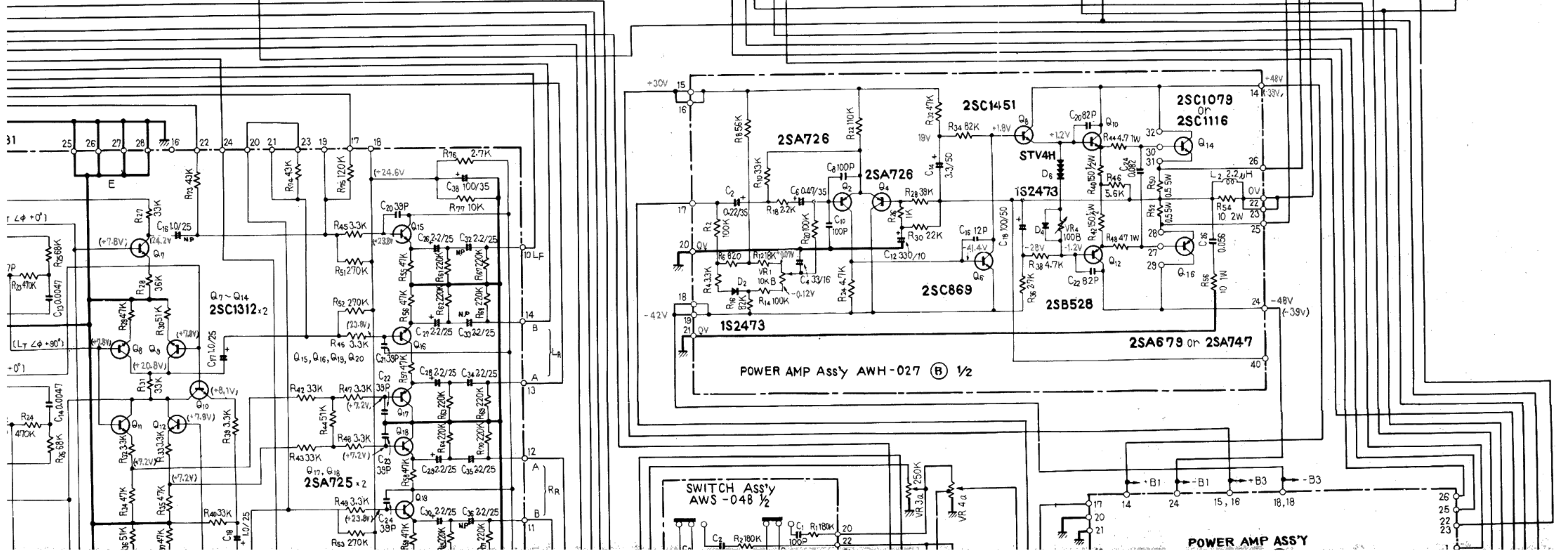
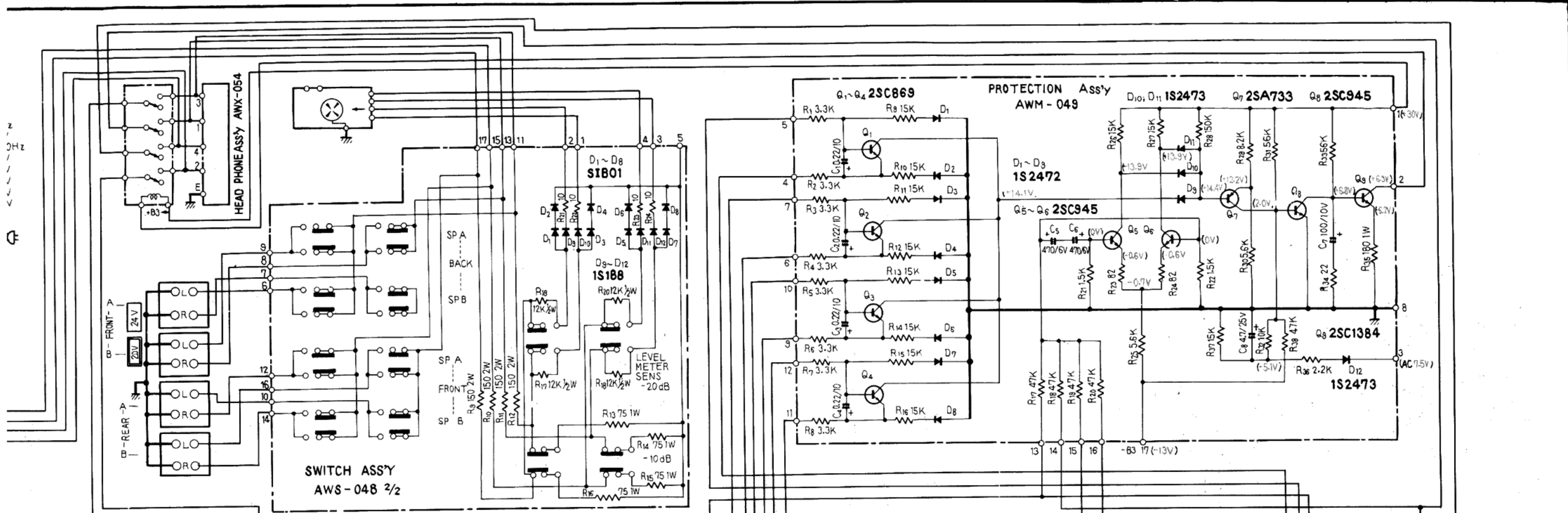
Q<sub>22</sub> 2SC1312  
Q<sub>23</sub> SL60505  
Q<sub>24</sub> 2SC1312  
Q<sub>25</sub> 2SA725  
Q<sub>26</sub> 2SC1312  
Q<sub>27</sub> 2SA725  
Q<sub>28</sub> 2SK40  
Q<sub>29</sub> 2SK30A  
Q<sub>30</sub> 2SC1312  
Q<sub>31</sub> 2SC1312  
Q<sub>32</sub> 2SC1312  
Q<sub>33</sub> 2SC1312  
Q<sub>34</sub> 2SC1312  
Q<sub>35</sub> 2SC1312  
Q<sub>36</sub> 2SC1312  
Q<sub>37</sub> 2SC1312  
Q<sub>38</sub> 2SC1312  
Q<sub>39</sub> 2SC1312  
Q<sub>40</sub> 2SC1312  
Q<sub>41</sub> 2SC1312  
Q<sub>42</sub> 2SC1312  
Q<sub>43</sub> 2SC1312  
Q<sub>44</sub> 2SC1312  
Q<sub>45</sub> 2SC1312  
Q<sub>46</sub> 2SC1312  
Q<sub>47</sub> 2SC1312  
Q<sub>48</sub> 2SC1312  
Q<sub>49</sub> 2SC1312  
Q<sub>50</sub> 2SC1312

D<sub>1</sub>, D<sub>2</sub> 1S188 x 2

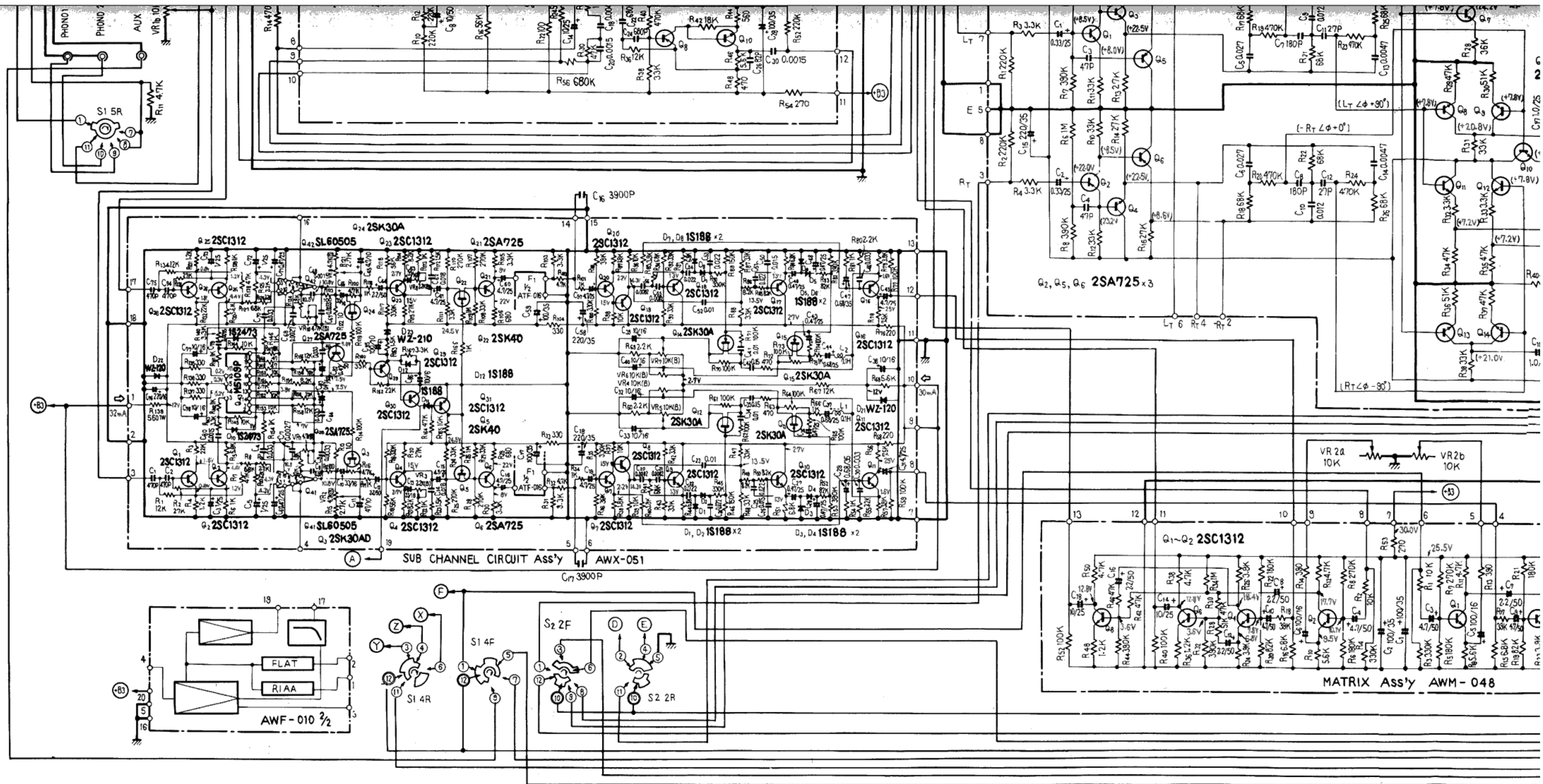
R<sub>802</sub> 2K











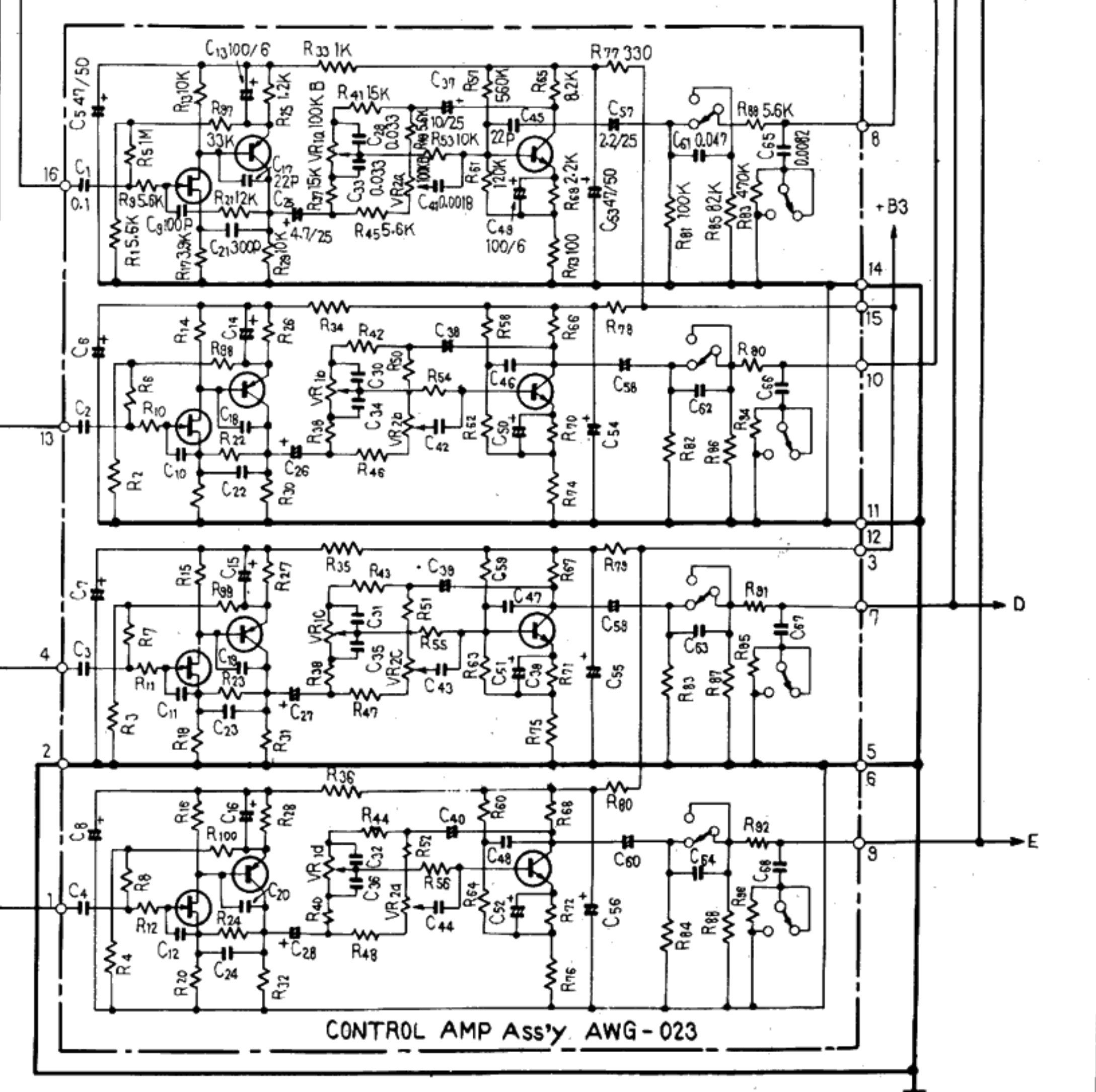
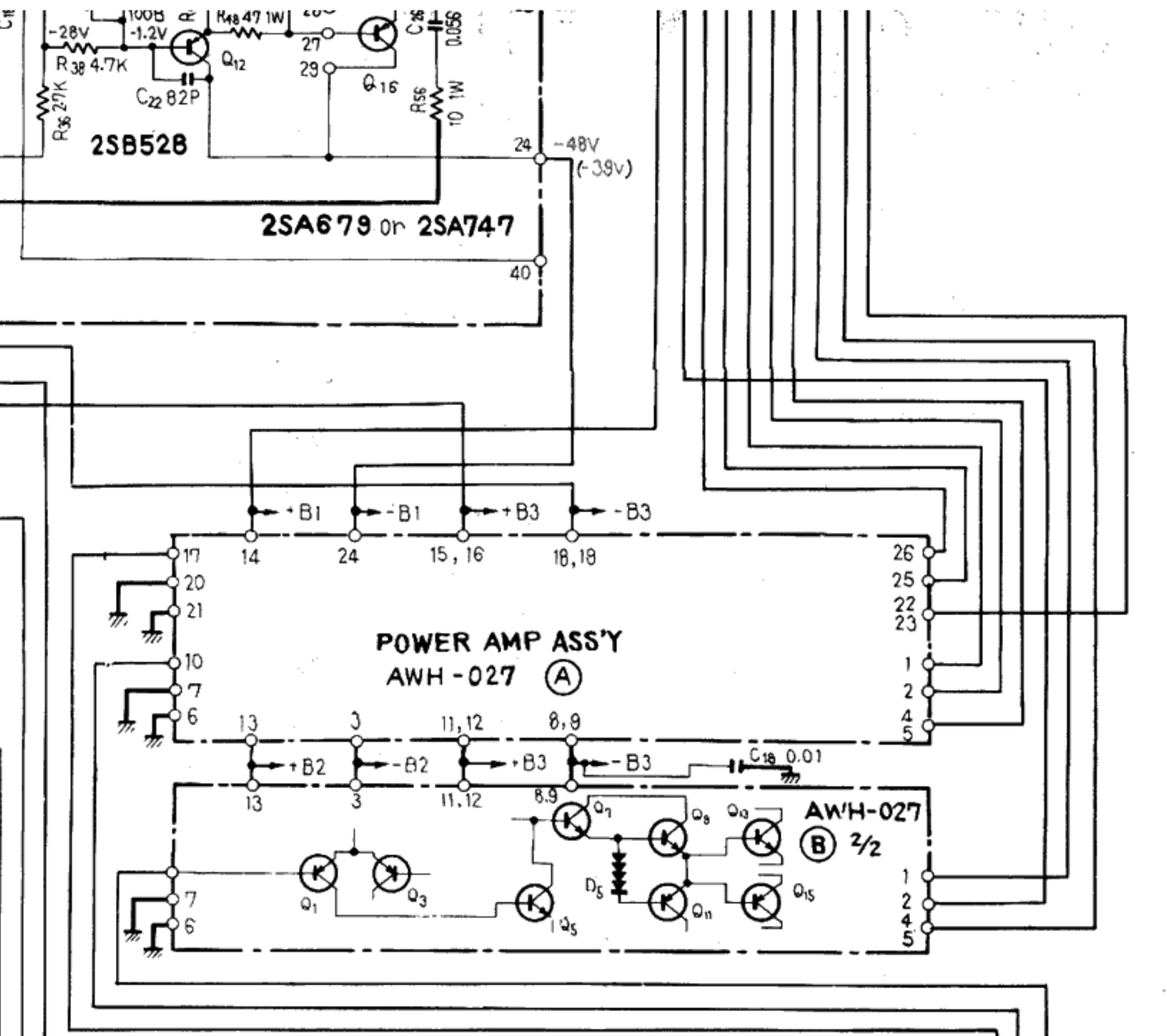
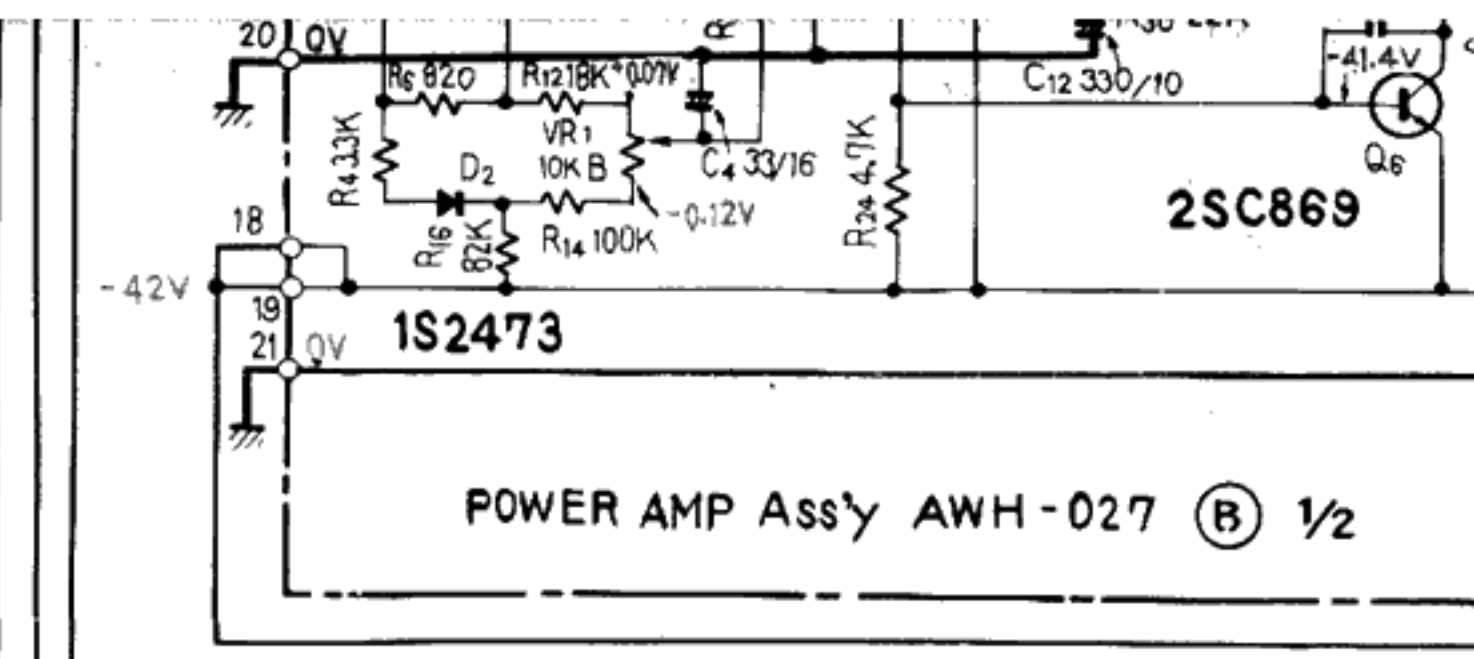
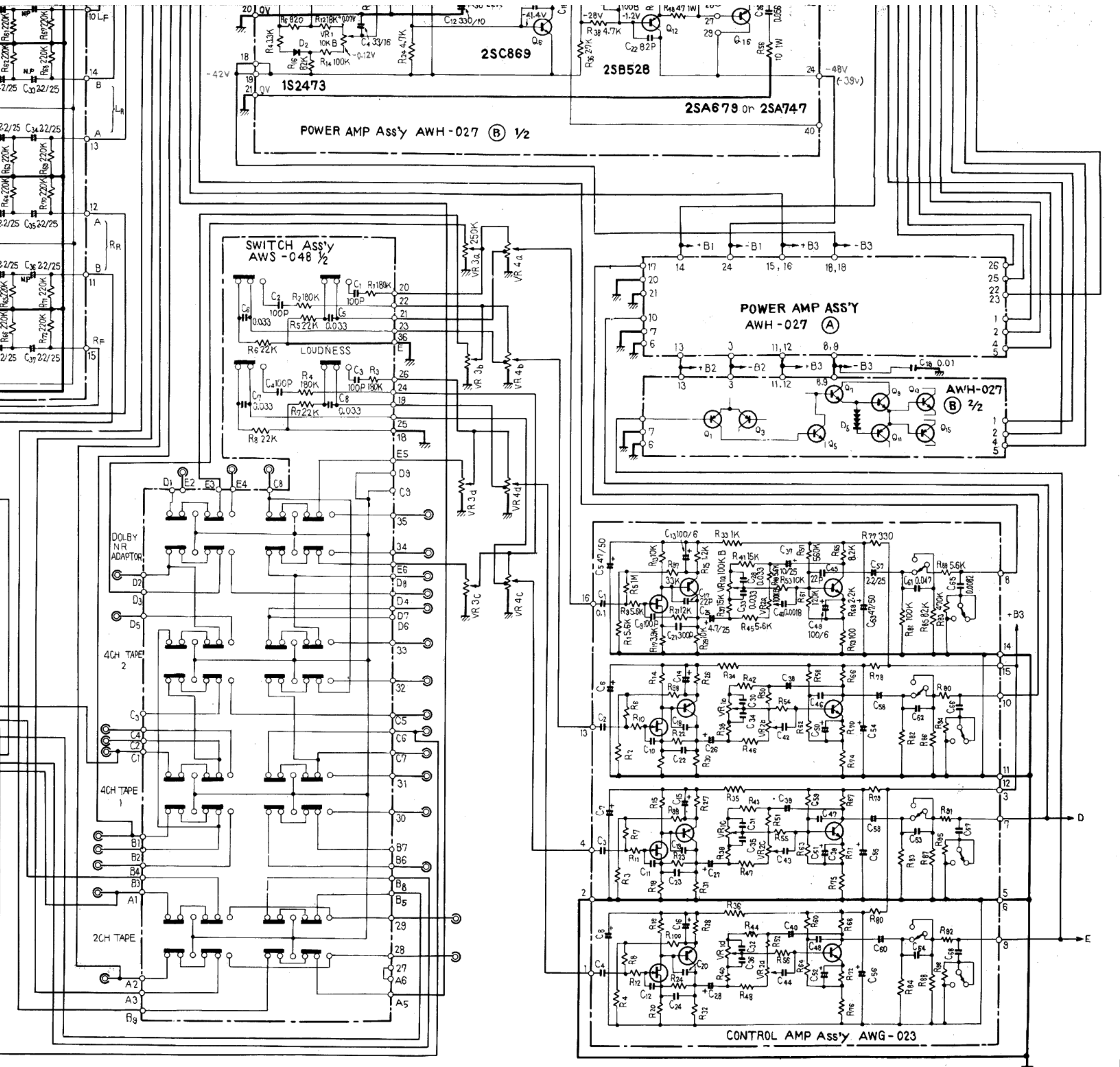
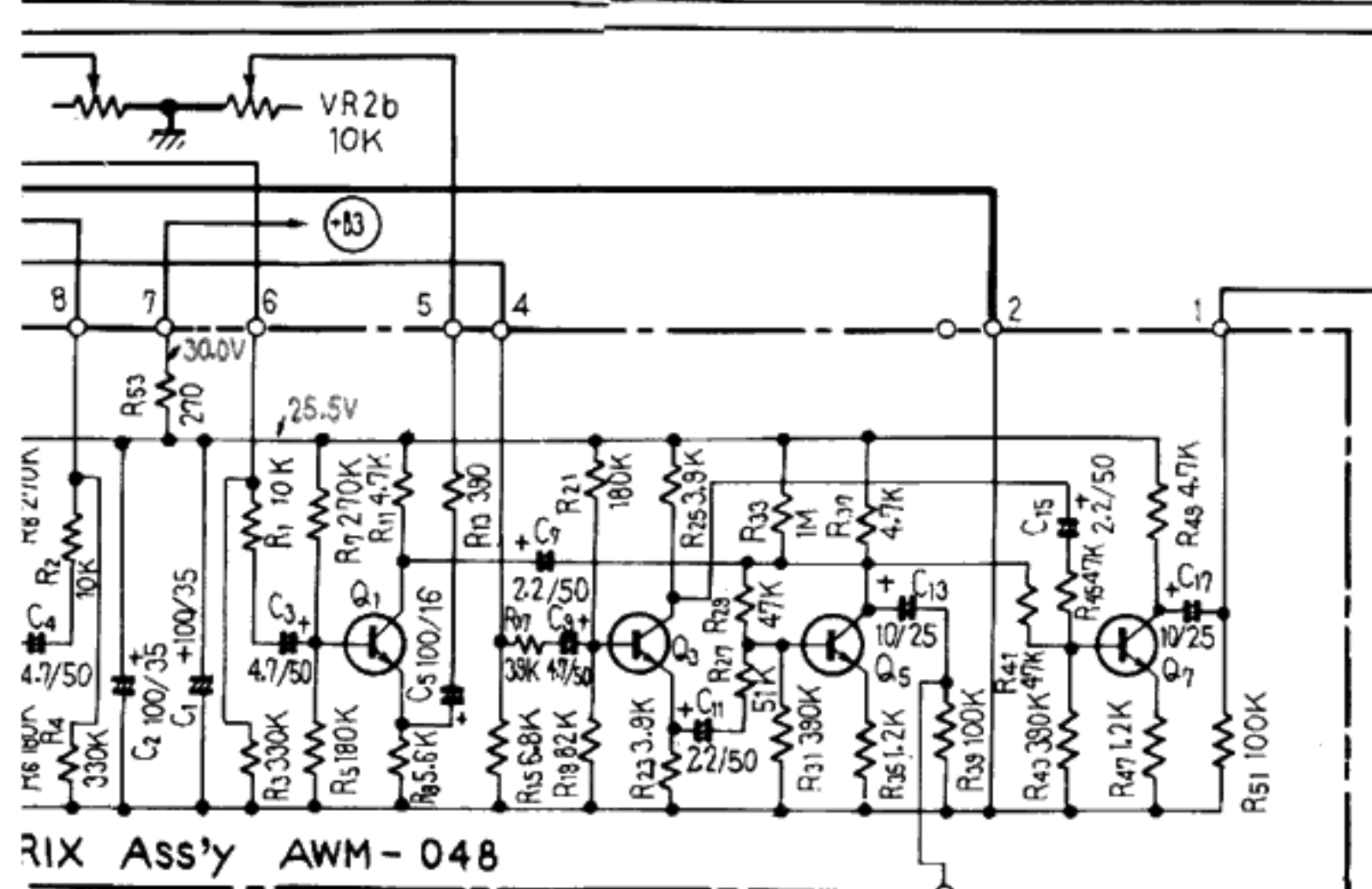
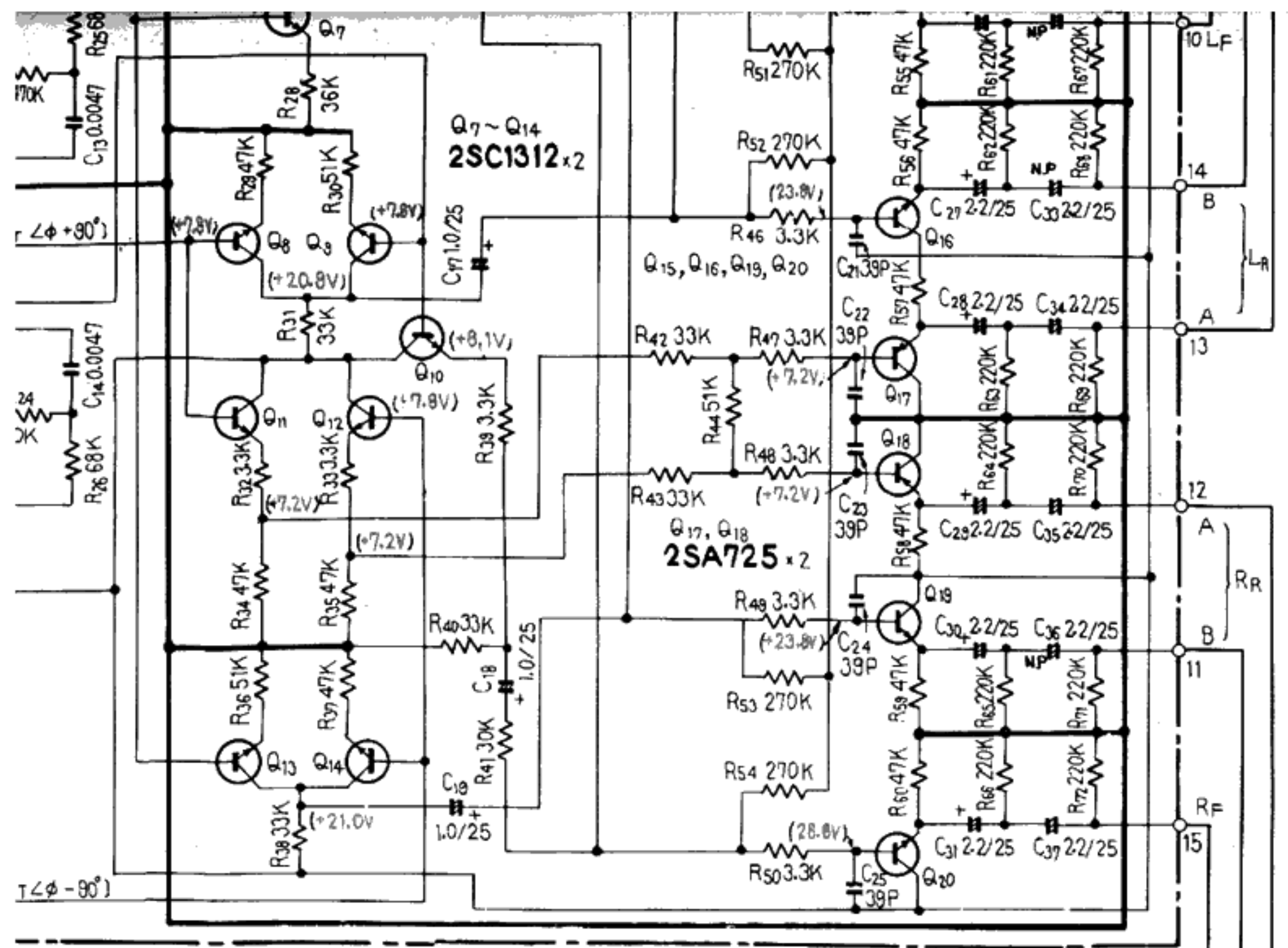
- S<sub>1</sub> FUNCTION (AM position)
- 1) AM
  - 2) FM MONO
  - 3) FM AUTO
  - 4) PHONO 1
  - 5) PHONO 2
  - 6) AUX
- S<sub>2</sub> MODE (2CH position)
- 1) 2CH
  - 2) CD-4
  - 3) RM
  - 4) SQ
- S<sub>3</sub> FM DE-EMPHASIS (75 $\mu$ S position)
- 1) 75 $\mu$ S
  - 2) 50 $\mu$ S

- S<sub>4</sub> FM MUTING (ON position)
- 1) ON
  - 2) OFF
- S<sub>5</sub> MPX NOISE FILTER (OFF position)
- 1) OFF
  - 2) ON
- S<sub>6</sub> POWER SW
- S<sub>7</sub> MICRO SW
- S<sub>8</sub> 2CH POWER BOOSTING SW (2CH position)
- 1) 2CH
  - 2) 4CH

NOTES

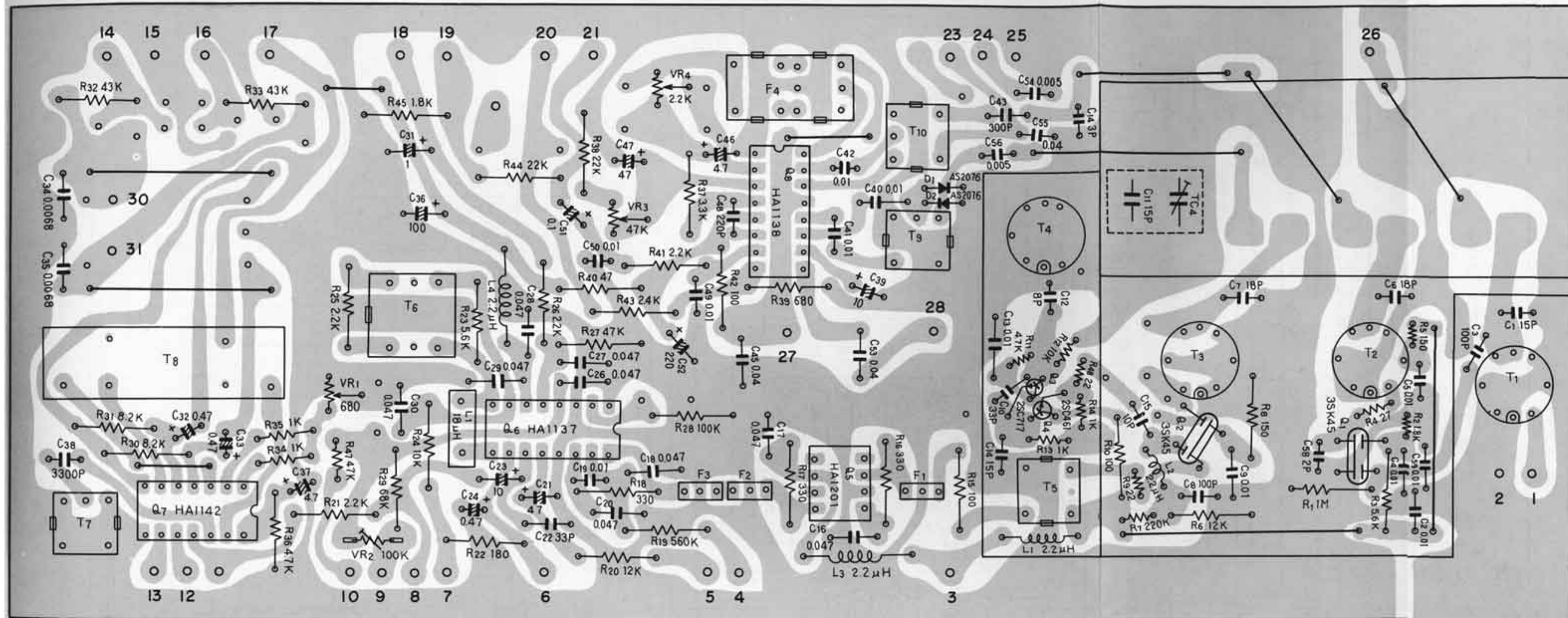
- : SIGNAL VOLTAGE NECESSARY FOR OBTAINING 50W/8 $\Omega$  OUTPUT POWER (1KHz), S<sub>8</sub> SET AT 4CH.
- : SIGNAL VOLTAGE NECESSARY FOR OBTAINING 72W/8 $\Omega$  OUTPUT POWER (1KHz), S<sub>8</sub> SET AT 2CH.
- : DC VOLTAGE AT NO INPUT SIGNAL, S<sub>8</sub> SET AT 4CH.
- : DC CURRENT AT NO INPUT SIGNAL, S<sub>8</sub> SET AT 4CH.
- : DC VOLTAGE AT 50W/8 $\Omega$  OUTPUT POWER.
- : DC CURRENT AT 50W/8 $\Omega$  OUTPUT POWER.
- ( ) : DC VOLTAGE AT NO INPUT SIGNAL, S<sub>8</sub> SET AT 2CH.
- ( ) : DC CURRENT AT NO INPUT SIGNAL, S<sub>8</sub> SET AT 2CH.
- RESISTORS  
IN OHM, 1/4W,  $\pm 5\%$  TOLERANCE UNLESS OTHERWISE NOTED. K: K $\Omega$  M: M $\Omega$
- CAPACITORS  
IN  $\mu$ F UNLESS OTHERWISE NOTED. P: pF



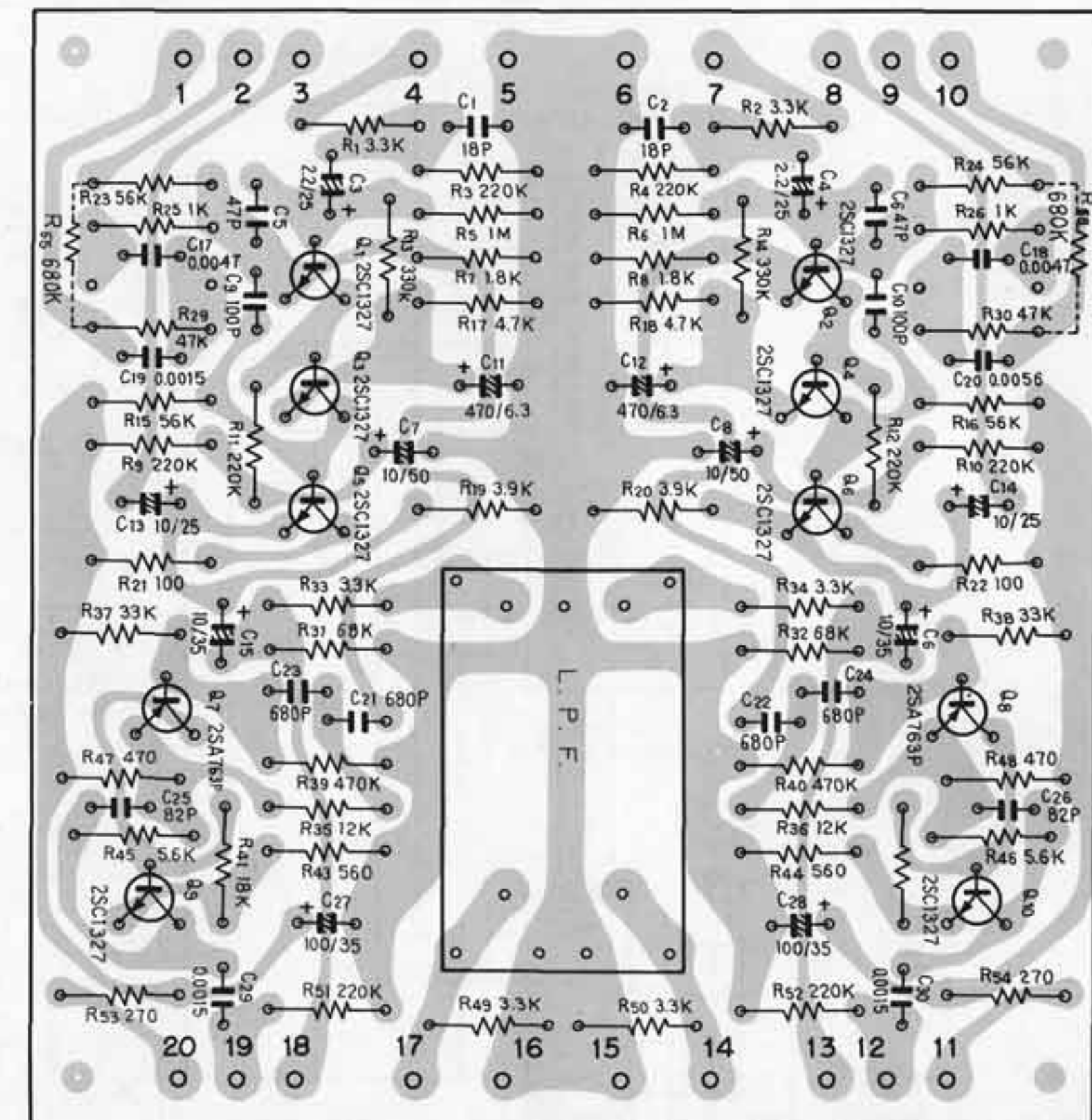




Tuner ass'y AWE-027

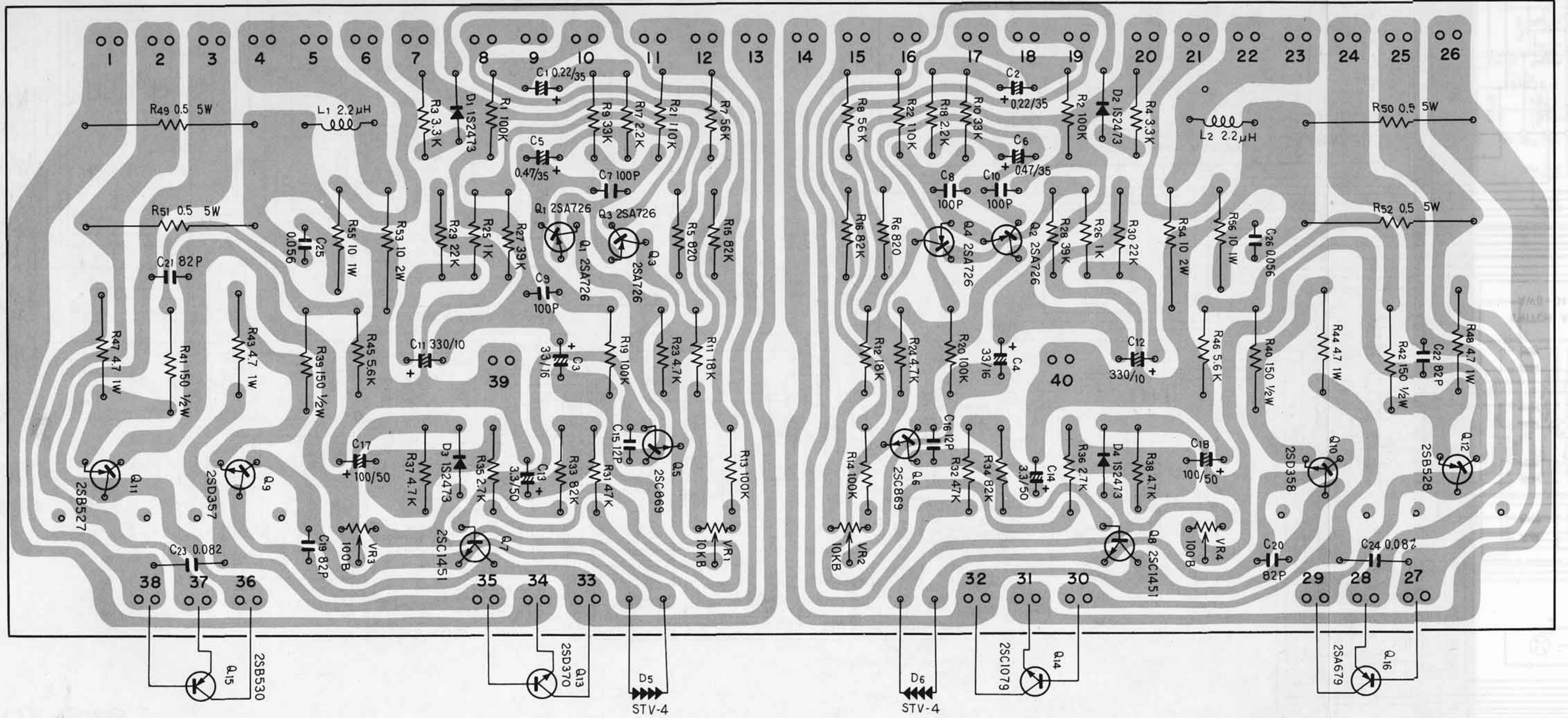


Equalizer amp ass'y AWF-010



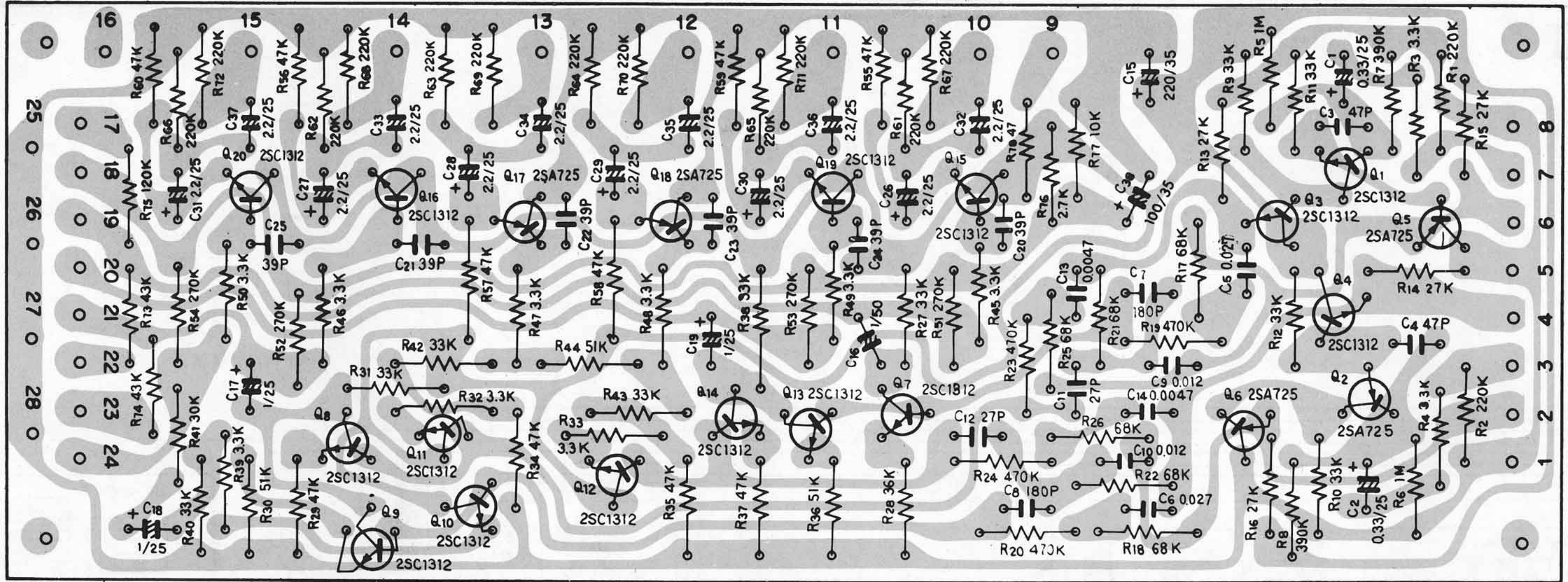


Power amp ass'y AWH-027

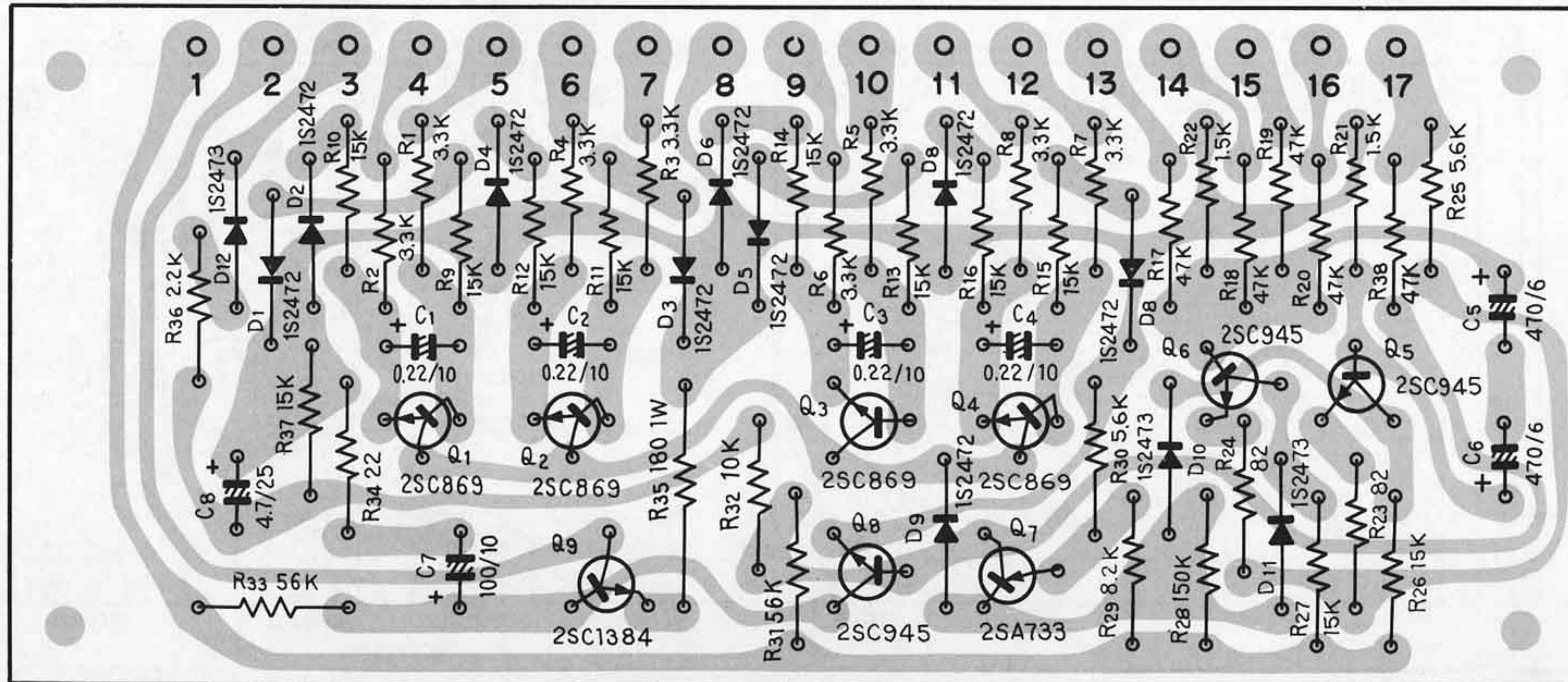




Decoder ass'y AWM-031

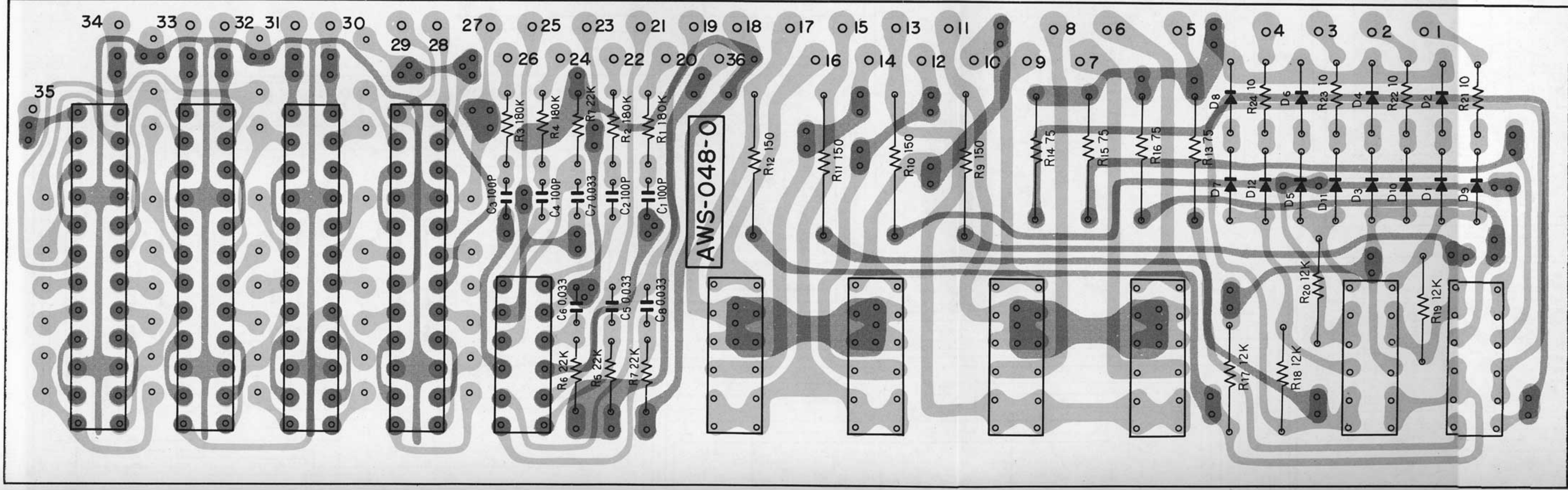


Protection circuit ass'y AWM-049

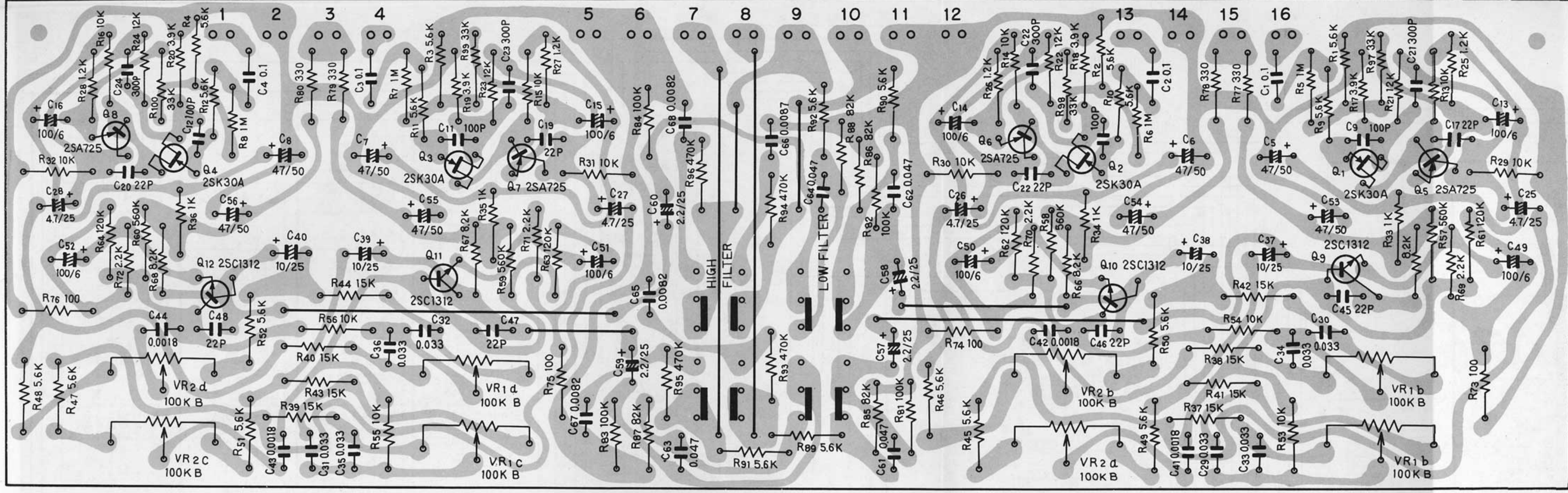




Switch ass'y AWS-048

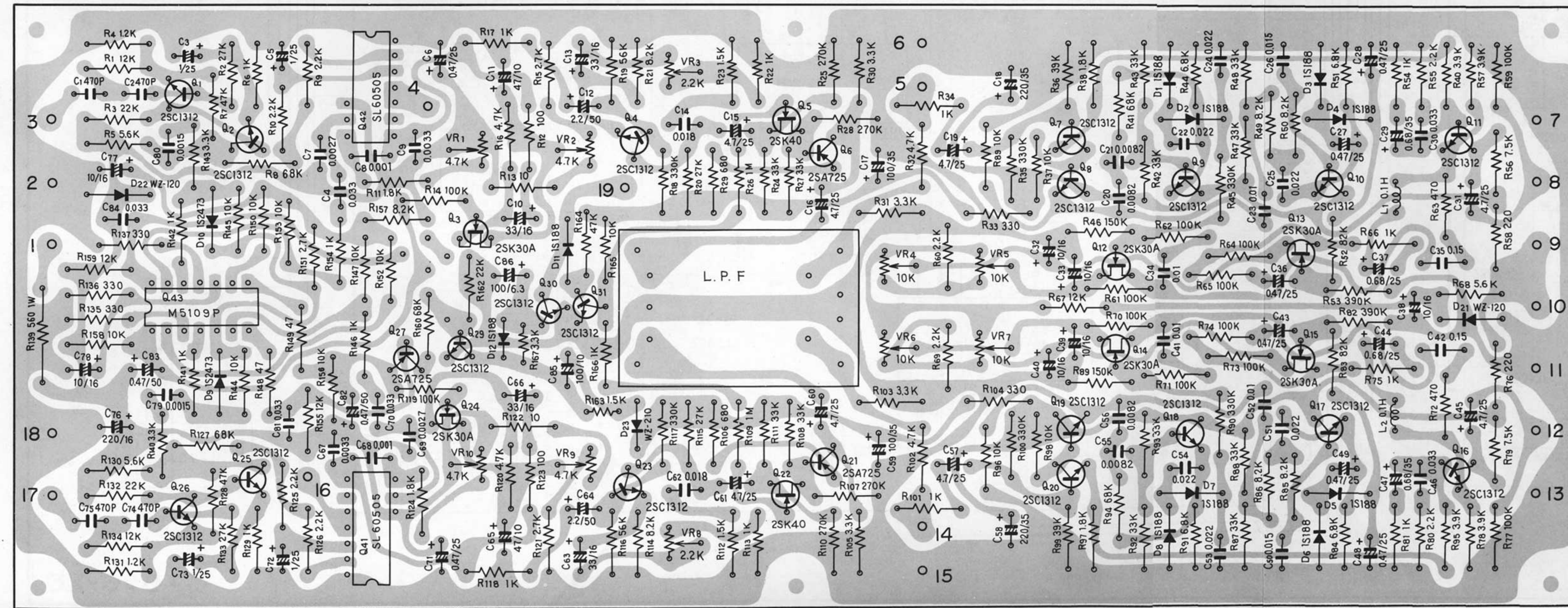


Control amp ass'y AWG-023

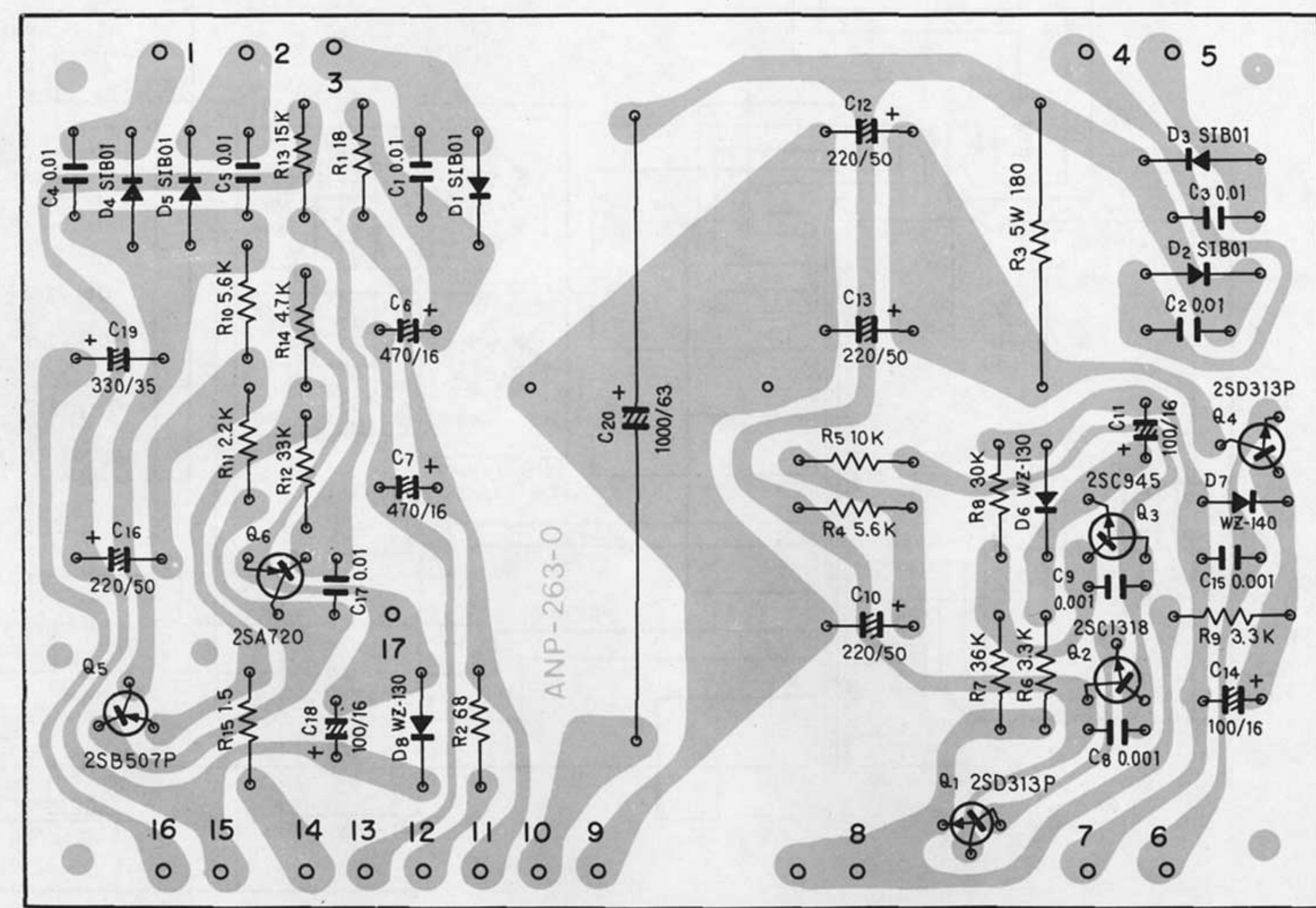




Sub channel circuit ass'y AWX-051

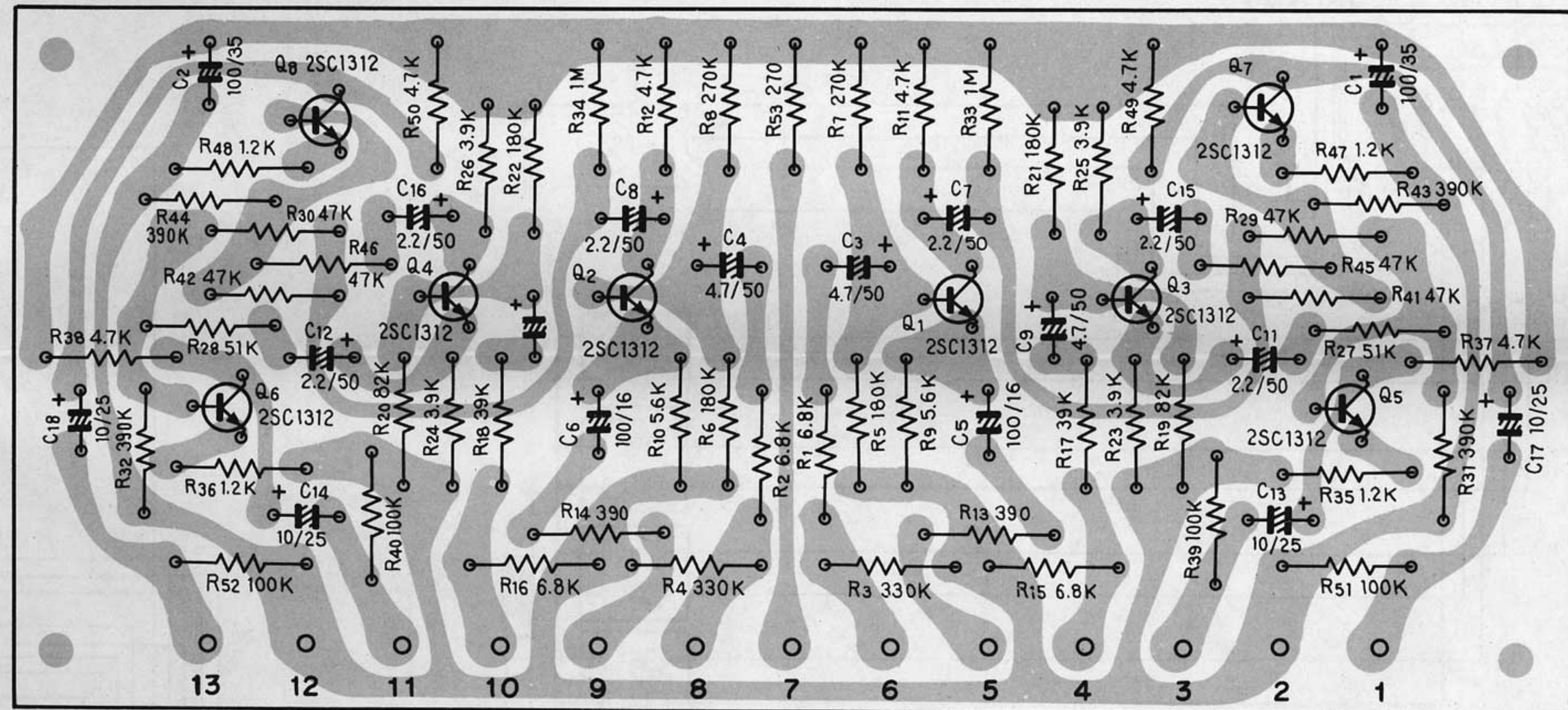


Power supply ass'y A AWR-038





Matrix ass'y AWM-048



Power supply ass'y B AWR-039

