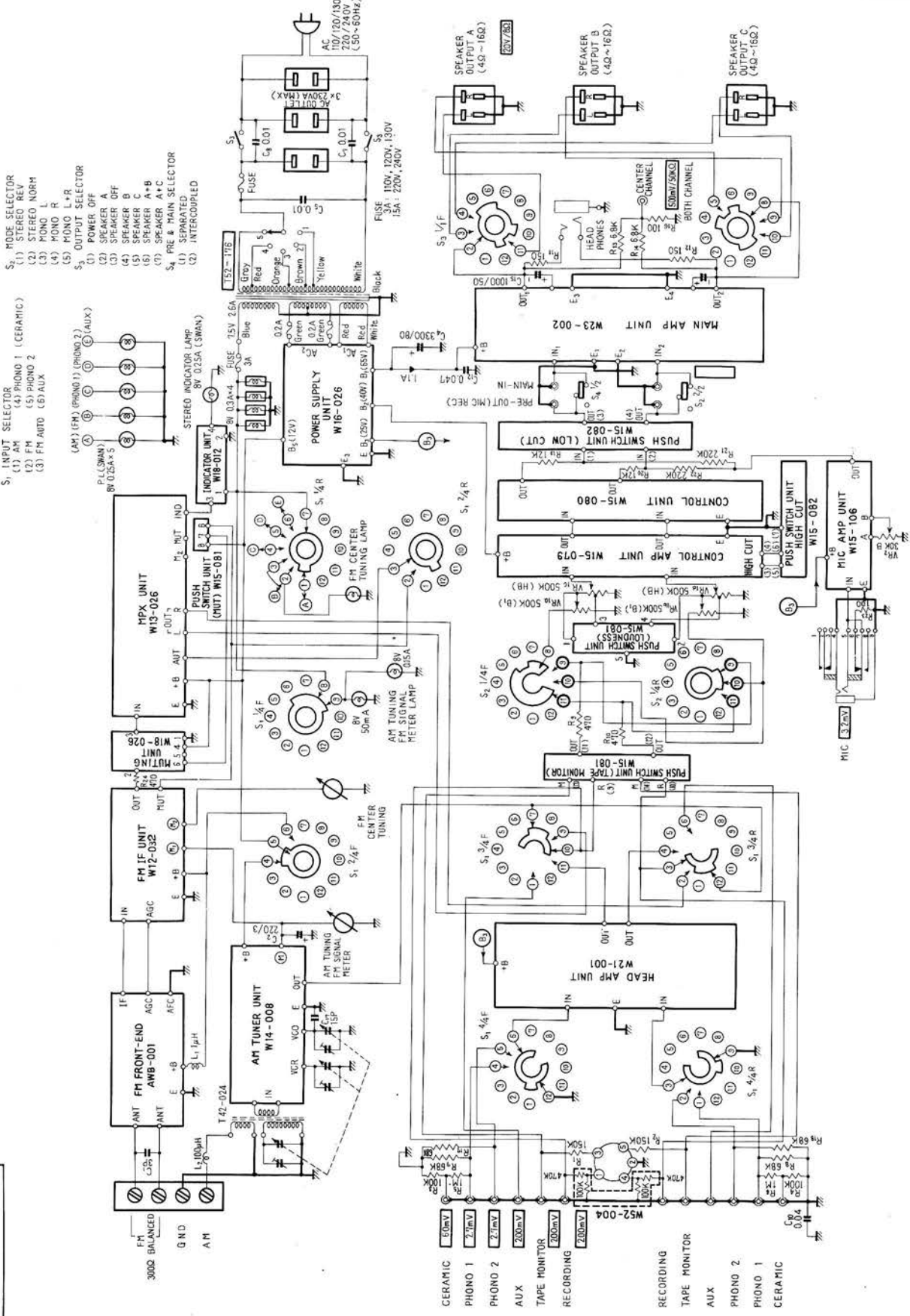


AM/FM STEREO RECEIVER SX-1500TD

ROUND LABEL UNIT	FVZW	FW	KLW			
TUNER UNIT						
FM FRONT END	AWB-001	W11-028	W11-028			
FM IF UNIT	W12-032	W12-032	W12-032			
MPX UNIT	W13-026	W13-026	W13-026			
AM TUNER UNIT	W14-008	W14-008	W14-008			
MUTING UNIT	W18-026	W18-026	W18-026			
HEAD AMP UNIT	W21-001	W21-001	W21-001			
CONTROL AMP UNIT	W15-079	W15-079	W15-079			
MAIN AMP UNIT	W23-002	W23-002	W23-002			
POWER SUPPLY UNIT	W16-026	W16-026	W16-026			
SWITCH UNIT	W15-081	W15-081	W15-081			
SWITCH UNIT	W15-082	W15-082	W15-082			
SWITCH UNIT						
TONE COLOR UNIT						
CONTROL UNIT	W15-080	W15-080	W15-080			
MIC AMP UNIT	W15-106	W15-106	W15-106			
REVERBE AMP UNIT						
REVERBE UNIT						
INDICATOR UNIT	W18-012	W18-012	W18-012			





- S₂ MODE SELECTOR**
 (1) STEREO REV
 (2) STEREO NORM
 (3) MONO L
 (4) MONO R
 (5) MONO L+R
- S₃ OUTPUT SELECTOR**
 (1) POWER OFF
 (2) SPEAKER A
 (3) SPEAKER B
 (4) SPEAKER C
 (5) SPEAKER A+B
 (6) SPEAKER A+C
 (7) SPEAKER A+B+C
 (8) SEPARATED
 (9) INTERLOCKED

- S₁ INPUT SELECTOR**
 (1) AM
 (2) FM
 (3) FM AUTO
 (4) PHONO 1 (CERAMIC)
 (5) PHONO 2
 (6) AUX

- CERAMIC 50mV
 PHONO 1 27mV
 PHONO 2 27mV
 AUX 200mV
 TAPE MONITOR 200mV
 RECORDING 200mV
- RECORDING
 TAPE MONITOR
 AUX
 PHONO 2
 PHONO 1
 CERAMIC

SX-1500TD for KLV model

SX-1500TD

S₁ MODE SELECTOR (S14-035)

- (1) STEREO REV
- (2) STEREO NORM
- (3) PHONO L
- (4) PHONO R
- (5) MONO L-R
- (6) MONO
- (7) SEPARATED
- (8) INTERCOUPLED

S₂ INPUT SELECTOR (S13-029)

- (1) AM
- (2) FM
- (3) FM AUTO
- (4) PHONO 1 (CERAMIC)
- (5) PHONO 2
- (6) AUX

S₃ OUTPUT SELECTOR (S11-031)

- (1) POWER OFF
- (2) SPEAKER A
- (3) SPEAKER B
- (4) SPEAKER C
- (5) SPEAKER A+B
- (6) SPEAKER A+C
- (7) SEPARATED
- (8) INTERCOUPLED

S₄ PRE- & MAIN SELECTOR (S41-022)

- (1) SEPARATED
- (2) INTERCOUPLED

(AM) (FM) (PHONO 1) (PHONO 2) (AUX)

P.L.S.WAN BY 0.25A+5

INDICATOR LAMP W15-012

FM MUT. IND. W13-026

MUTING UNIT W18-026

PUSH SWIT UNIT (CRUT) W15-081

FM CENTER TUNING LAMP

POWER SUPPLY UNIT W16-026

FM CENTER TUNING LAMP

AM TUNING FM SIGNAL METER LAMP

PUSH SWIT UNIT (TAP) W15-081

MONITOR

HEAD AMP UNIT W21-001

RECORDING TAPE MONITOR

AUX

PHONO 2

PHONO 1

CERAMIC

W22-004

RECORDING TAPE MONITOR

AUX

PHONO 2

PHONO 1

CERAMIC

W15-082

PUSH SWIT UNIT (LOW CUT)

CONTROL AMP UNIT W15-079

CONTROL UNIT W15-080

PUSH SWIT UNIT (HIGH CUT)

MIC AMP UNIT W15-106

MIC

W15-082

PUSH SWIT UNIT (TAP)

MONITOR

HEAD AMP UNIT W21-001

RECORDING TAPE MONITOR

AUX

PHONO 2

PHONO 1

CERAMIC

W22-004

RECORDING TAPE MONITOR

AUX

PHONO 2

PHONO 1

CERAMIC

FM FRONT END W11-028

IF UNIT W12-032

AM TUNER UNIT W14-008

FM MUT. IND. W13-026

MUTING UNIT W18-026

PUSH SWIT UNIT (CRUT) W15-081

FM CENTER TUNING LAMP

POWER SUPPLY UNIT W16-026

FM CENTER TUNING LAMP

AM TUNING FM SIGNAL METER LAMP

PUSH SWIT UNIT (TAP) W15-081

MONITOR

HEAD AMP UNIT W21-001

RECORDING TAPE MONITOR

AUX

PHONO 2

PHONO 1

CERAMIC

W22-004

RECORDING TAPE MONITOR

AUX

PHONO 2

PHONO 1

CERAMIC

W15-082

PUSH SWIT UNIT (LOW CUT)

CONTROL AMP UNIT W15-079

CONTROL UNIT W15-080

PUSH SWIT UNIT (HIGH CUT)

MIC AMP UNIT W15-106

MIC

W15-082

PUSH SWIT UNIT (TAP)

MONITOR

HEAD AMP UNIT W21-001

RECORDING TAPE MONITOR

AUX

PHONO 2

PHONO 1

CERAMIC

W22-004

RECORDING TAPE MONITOR

AUX

PHONO 2

PHONO 1

CERAMIC

FM FRONT END W11-028

IF UNIT W12-032

AM TUNER UNIT W14-008

FM MUT. IND. W13-026

MUTING UNIT W18-026

PUSH SWIT UNIT (CRUT) W15-081

FM CENTER TUNING LAMP

POWER SUPPLY UNIT W16-026

FM CENTER TUNING LAMP

AM TUNING FM SIGNAL METER LAMP

PUSH SWIT UNIT (TAP) W15-081

MONITOR

HEAD AMP UNIT W21-001

RECORDING TAPE MONITOR

AUX

PHONO 2

PHONO 1

CERAMIC

W22-004

RECORDING TAPE MONITOR

AUX

PHONO 2

PHONO 1

CERAMIC

W15-082

PUSH SWIT UNIT (LOW CUT)

CONTROL AMP UNIT W15-079

CONTROL UNIT W15-080

PUSH SWIT UNIT (HIGH CUT)

MIC AMP UNIT W15-106

MIC

W15-082

PUSH SWIT UNIT (TAP)

MONITOR

HEAD AMP UNIT W21-001

RECORDING TAPE MONITOR

AUX

PHONO 2

PHONO 1

CERAMIC

W22-004

RECORDING TAPE MONITOR

AUX

PHONO 2

PHONO 1

CERAMIC

FM FRONT END W11-028

IF UNIT W12-032

AM TUNER UNIT W14-008

FM MUT. IND. W13-026

MUTING UNIT W18-026

PUSH SWIT UNIT (CRUT) W15-081

FM CENTER TUNING LAMP

POWER SUPPLY UNIT W16-026

FM CENTER TUNING LAMP

AM TUNING FM SIGNAL METER LAMP

PUSH SWIT UNIT (TAP) W15-081

MONITOR

HEAD AMP UNIT W21-001

RECORDING TAPE MONITOR

AUX

PHONO 2

PHONO 1

CERAMIC

W22-004

RECORDING TAPE MONITOR

AUX

PHONO 2

PHONO 1

CERAMIC

W15-082

PUSH SWIT UNIT (LOW CUT)

CONTROL AMP UNIT W15-079

CONTROL UNIT W15-080

PUSH SWIT UNIT (HIGH CUT)

MIC AMP UNIT W15-106

MIC

W15-082

PUSH SWIT UNIT (TAP)

MONITOR

HEAD AMP UNIT W21-001

RECORDING TAPE MONITOR

AUX

PHONO 2

PHONO 1

CERAMIC

W22-004

RECORDING TAPE MONITOR

AUX

PHONO 2

PHONO 1

CERAMIC

FM FRONT END W11-028

IF UNIT W12-032

AM TUNER UNIT W14-008

FM MUT. IND. W13-026

MUTING UNIT W18-026

PUSH SWIT UNIT (CRUT) W15-081

FM CENTER TUNING LAMP

POWER SUPPLY UNIT W16-026

FM CENTER TUNING LAMP

AM TUNING FM SIGNAL METER LAMP

PUSH SWIT UNIT (TAP) W15-081

MONITOR

HEAD AMP UNIT W21-001

RECORDING TAPE MONITOR

AUX

PHONO 2

PHONO 1

CERAMIC

W22-004

RECORDING TAPE MONITOR

AUX

PHONO 2

PHONO 1

CERAMIC

W15-082

PUSH SWIT UNIT (LOW CUT)

CONTROL AMP UNIT W15-079

CONTROL UNIT W15-080

PUSH SWIT UNIT (HIGH CUT)

MIC AMP UNIT W15-106

MIC

W15-082

PUSH SWIT UNIT (TAP)

MONITOR

HEAD AMP UNIT W21-001

RECORDING TAPE MONITOR

AUX

PHONO 2

PHONO 1

CERAMIC

W22-004

RECORDING TAPE MONITOR

AUX

PHONO 2

PHONO 1

CERAMIC

FM FRONT END W11-028

IF UNIT W12-032

AM TUNER UNIT W14-008

FM MUT. IND. W13-026

MUTING UNIT W18-026

PUSH SWIT UNIT (CRUT) W15-081

FM CENTER TUNING LAMP

POWER SUPPLY UNIT W16-026

FM CENTER TUNING LAMP

AM TUNING FM SIGNAL METER LAMP

PUSH SWIT UNIT (TAP) W15-081

MONITOR

HEAD AMP UNIT W21-001

RECORDING TAPE MONITOR

AUX

PHONO 2

PHONO 1

CERAMIC

W22-004

RECORDING TAPE MONITOR

AUX

PHONO 2

PHONO 1

CERAMIC

W15-082

PUSH SWIT UNIT (LOW CUT)

CONTROL AMP UNIT W15-079

CONTROL UNIT W15-080

PUSH SWIT UNIT (HIGH CUT)

MIC AMP UNIT W15-106

MIC

W15-082

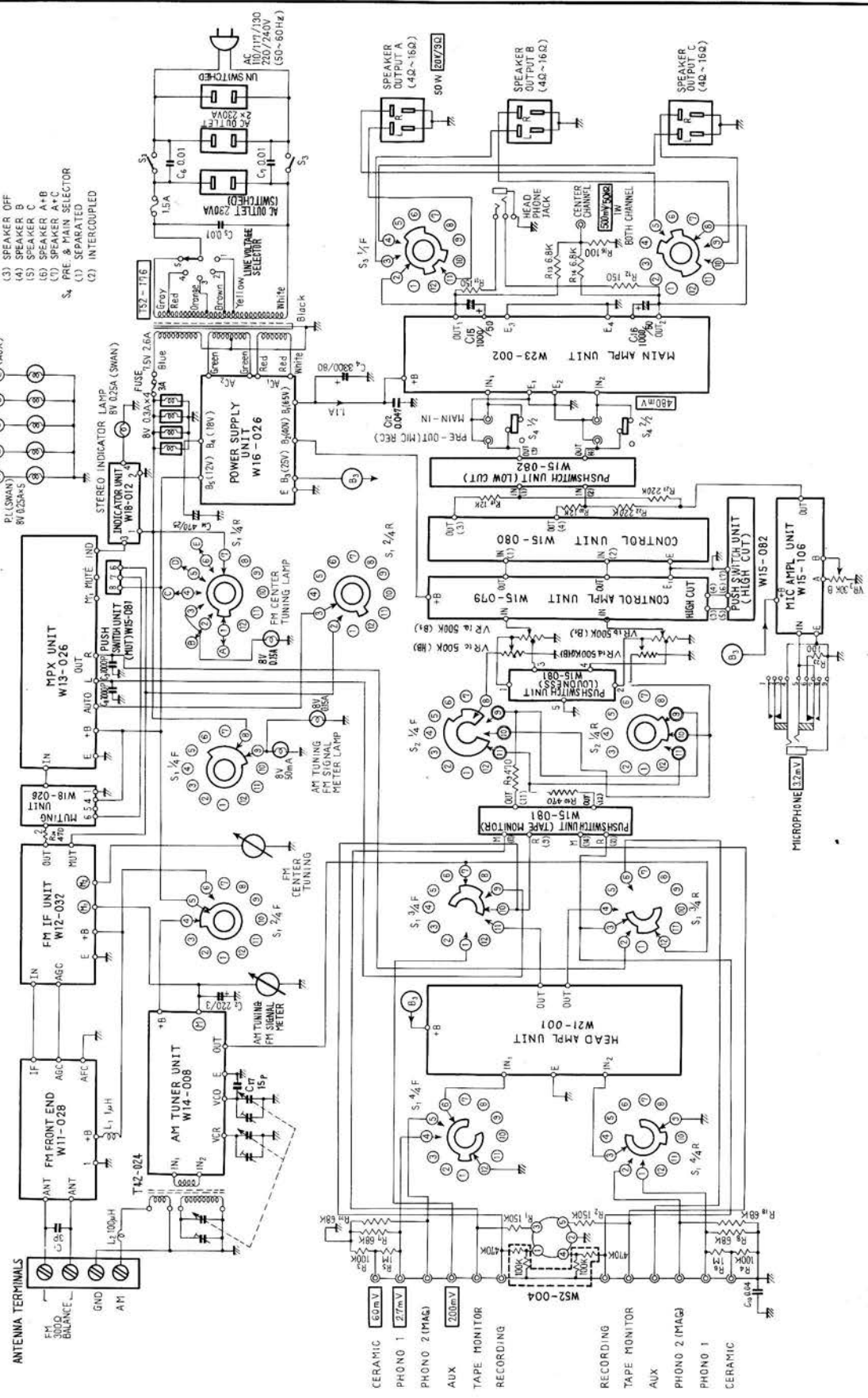
PUSH SWIT UNIT (TAP)

MONITOR

HEAD AMP UNIT W21-001

- S₁ MODE SELECTOR**
 (1) STEREO REV
 (2) STEREO NORM
 (3) MONO L
 (4) MONO R
 (5) MONO L+R
 (6) POWER OFF
 (7) SPEAKER A
 (8) SPEAKER OFF
 (9) SPEAKER B
 (10) SPEAKER C
 (11) SPEAKER A+B
 (12) SPEAKER A+C
 (13) PRE & MAIN SELECTOR
 (14) SEPARATED
 (15) INTERCUPLED
- S₂ OUTPUT SELECTOR**
 (1) STEREO REV
 (2) STEREO NORM
 (3) MONO L
 (4) MONO R
 (5) MONO L+R
 (6) POWER OFF
 (7) SPEAKER A
 (8) SPEAKER OFF
 (9) SPEAKER B
 (10) SPEAKER C
 (11) SPEAKER A+B
 (12) SPEAKER A+C
 (13) PRE & MAIN SELECTOR
 (14) SEPARATED
 (15) INTERCUPLED

- S₃ INPUT SELECTOR**
 (1) AM
 (2) FM
 (3) FM AUTO
 (4) PHONO 1 (CERAMIC)
 (5) PHONO 2
 (6) AUX
- S₄ OUTPUT SELECTOR**
 (1) STEREO REV
 (2) STEREO NORM
 (3) MONO L
 (4) MONO R
 (5) MONO L+R
 (6) POWER OFF
 (7) SPEAKER A
 (8) SPEAKER OFF
 (9) SPEAKER B
 (10) SPEAKER C
 (11) SPEAKER A+B
 (12) SPEAKER A+C
 (13) PRE & MAIN SELECTOR
 (14) SEPARATED
 (15) INTERCUPLED

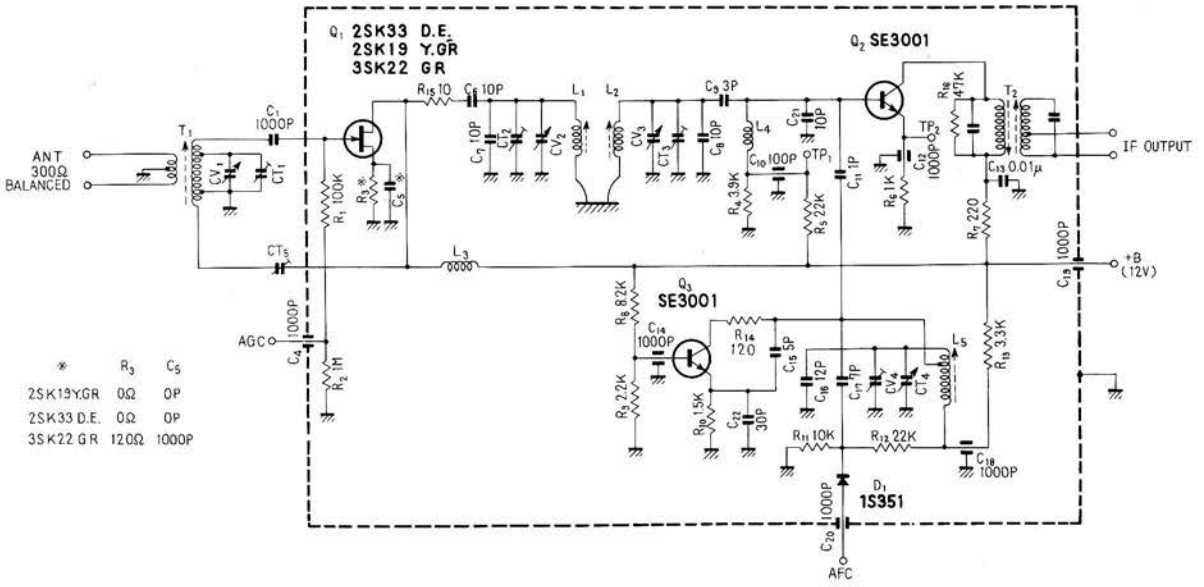


- ANTENNA TERMINALS**
 FM 300Ω BALANCE
 GND
 AM
- W2-004**
 60mV
 2.7mV
 PHONO 2 (IMAG)
 200mV
 AUX
 TAPE MONITOR
 RECORDING
- W21-001**
 RECORDING
 TAPE MONITOR
 AUX
 PHONO 2 (IMAG)
 PHONO 1
 CERAMIC
- W15-082**
 MIC AMP UNIT
 W15-106

FM FRONT END

FM FRONT END

AWB-001

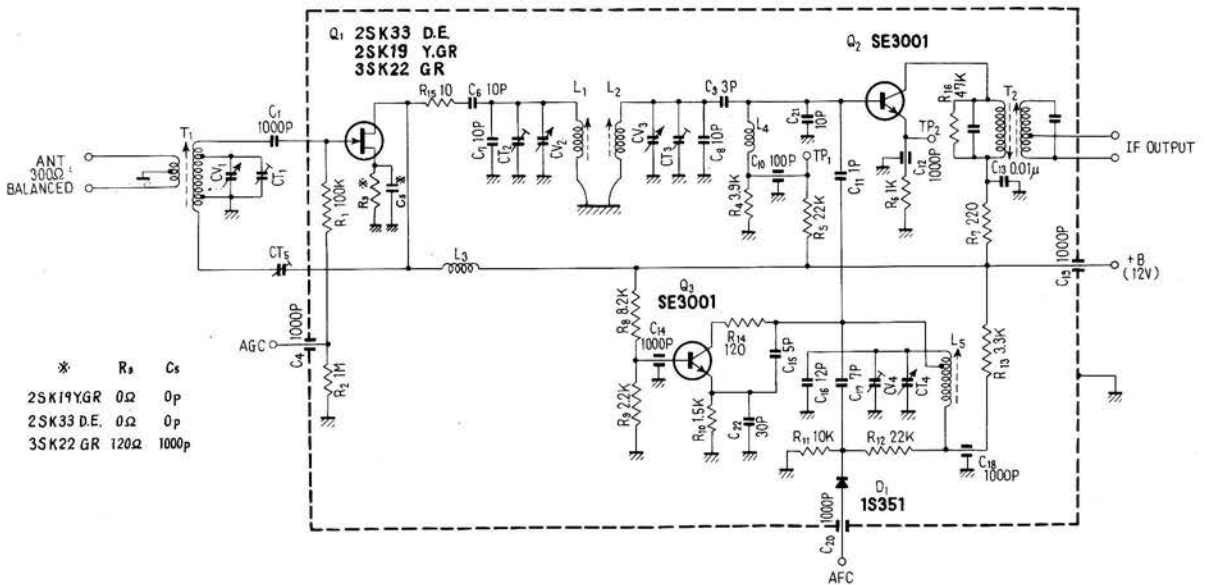


*	R _s	C _s
2SK19YGR	0Ω	0p
2SK33 D.E.	0Ω	0p
3SK22 GR	120Ω	1000p

FM FRONT END for FW KLV model

FM FRONT END

W11-028

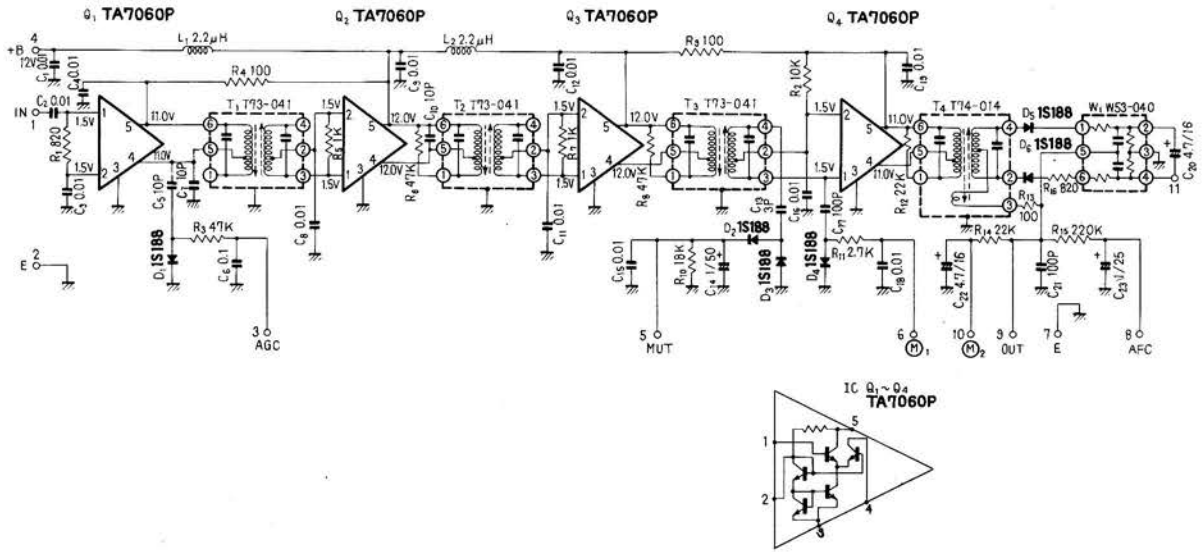


*	R _s	C _s
2SK19YGR	0Ω	0p
2SK33 D.E.	0Ω	0p
3SK22 GR	120Ω	1000p

FM IF UNIT

FM IF UNIT

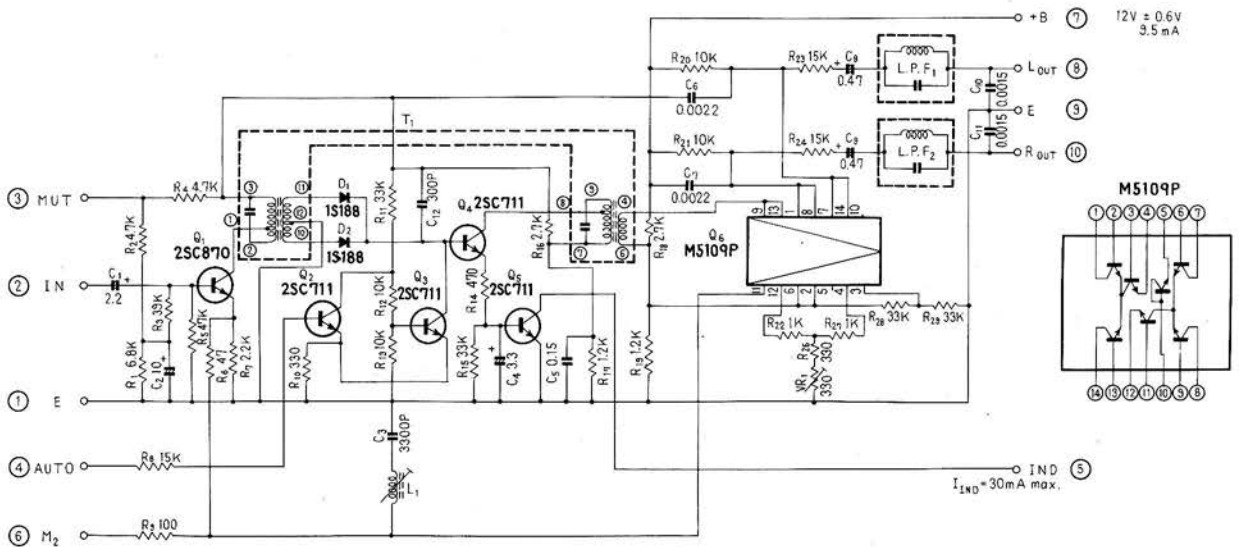
W12-032



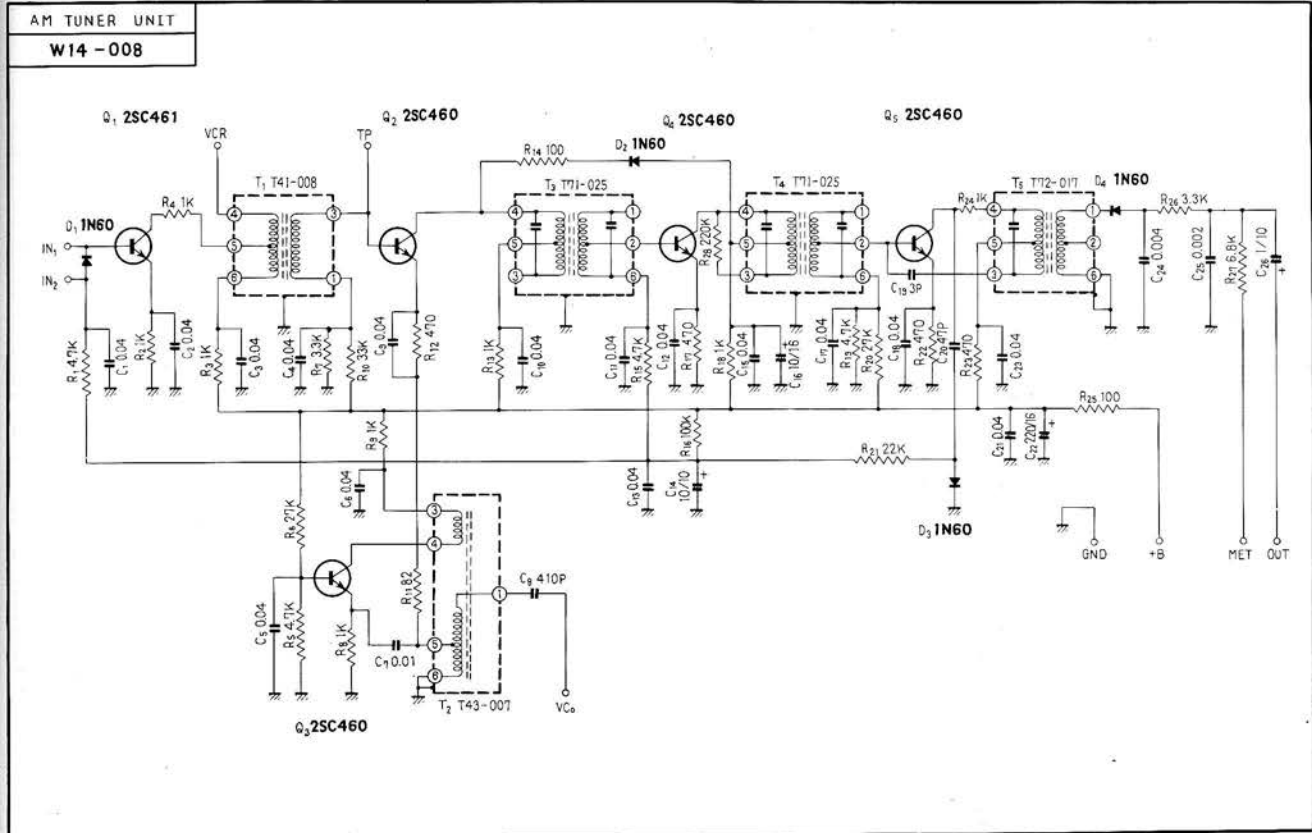
MPX UNIT

MPX UNIT

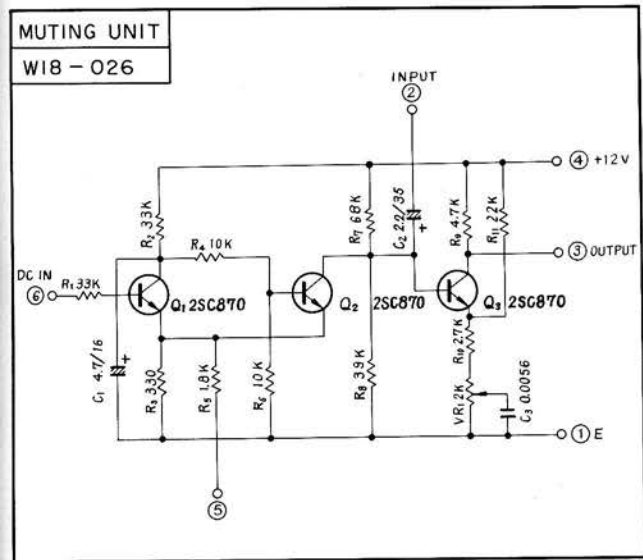
W13-026



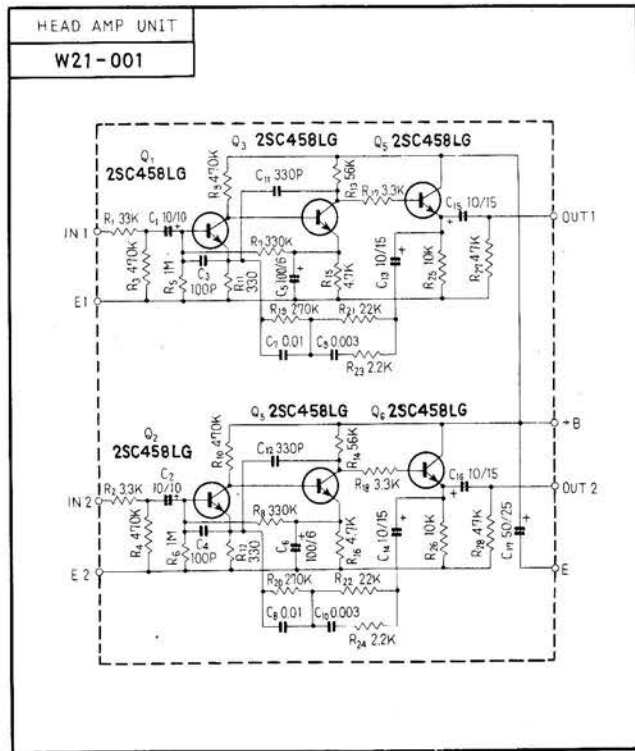
AM TUNER UNIT



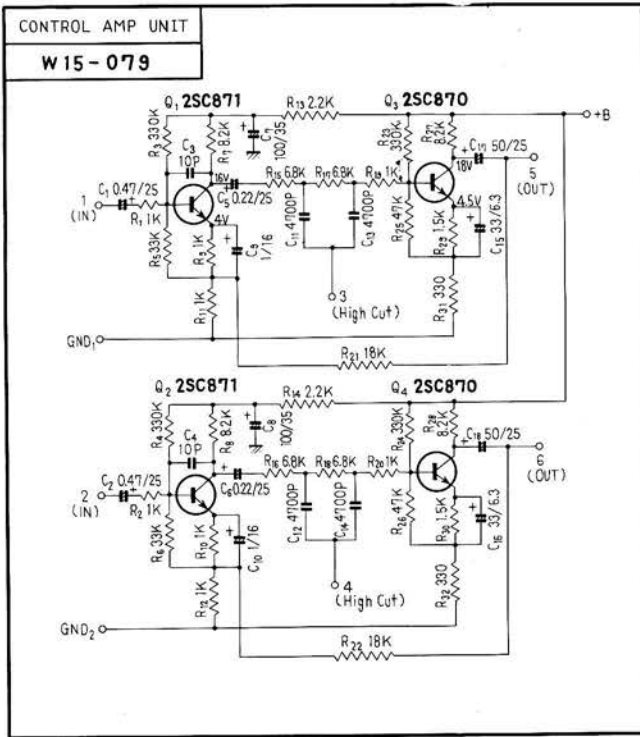
MUTING UNIT



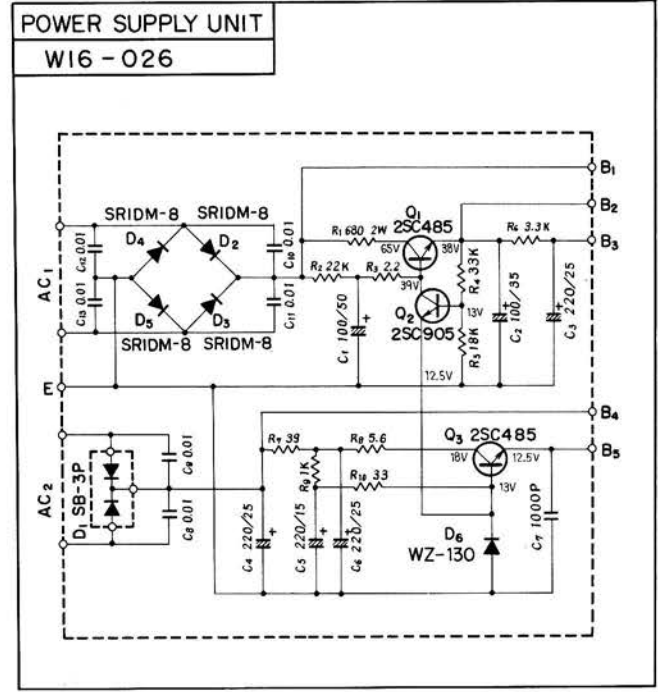
HEAD AMP UNIT



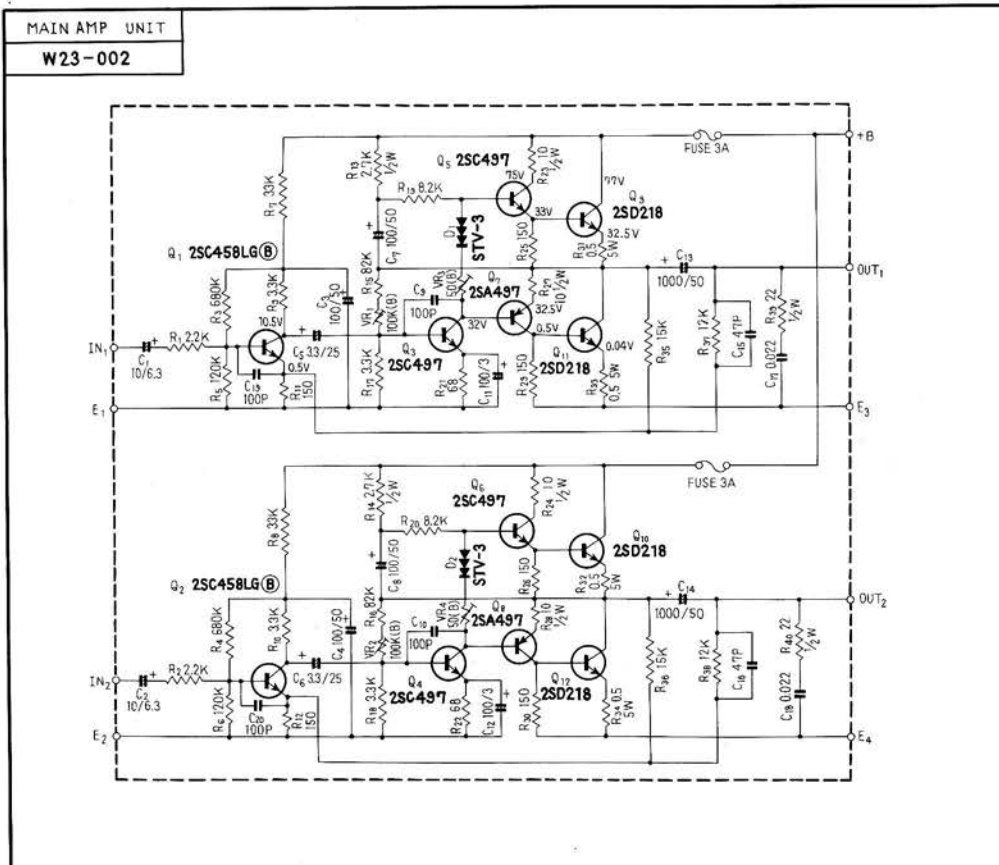
CONTROL AMP UNIT



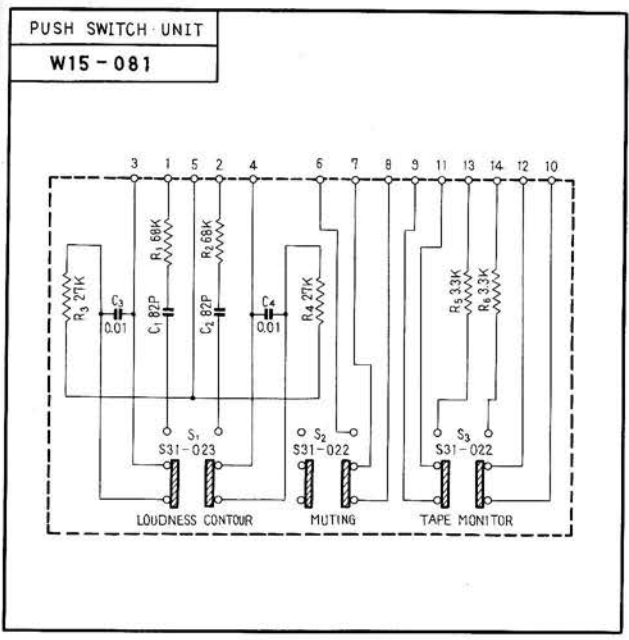
POWER SUPPLY UNIT



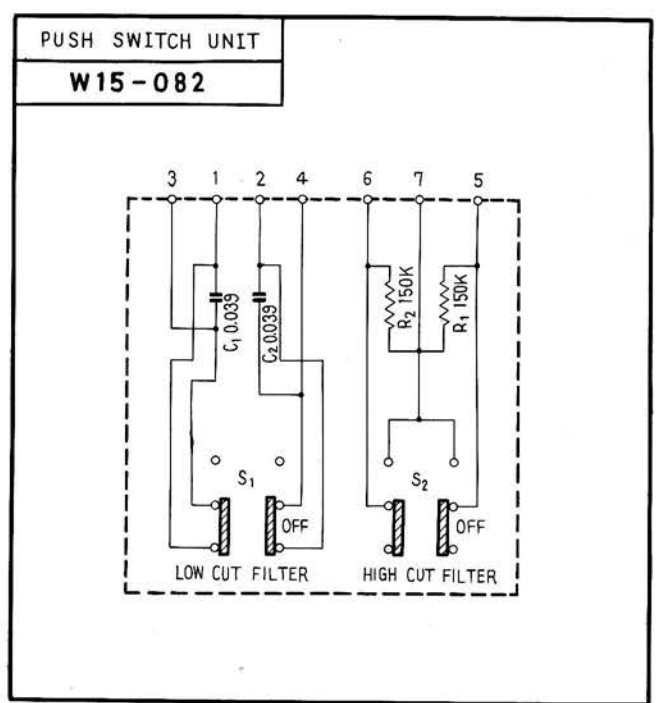
MAIN AMP UNIT



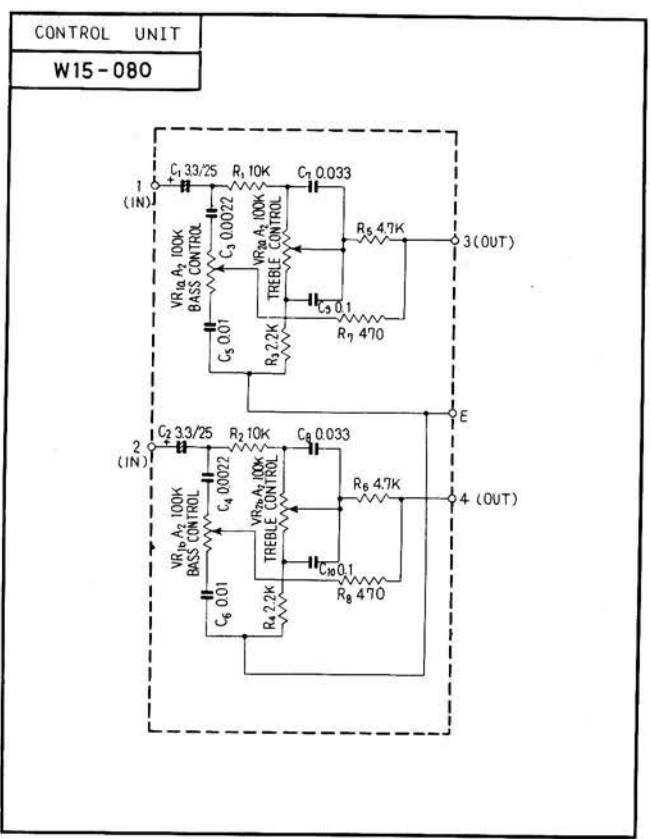
PUSH SWITCH UNIT



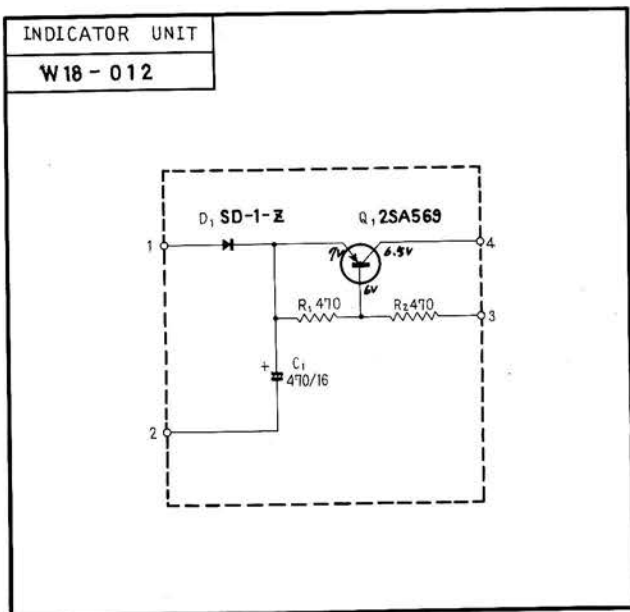
PUSH SWITCH UNIT



CONTROL UNIT



INDICATOR UNIT



MIC AMP UNIT

